



# The EQS SUV

Effective from August 2024 Production.

Mercedes-Benz





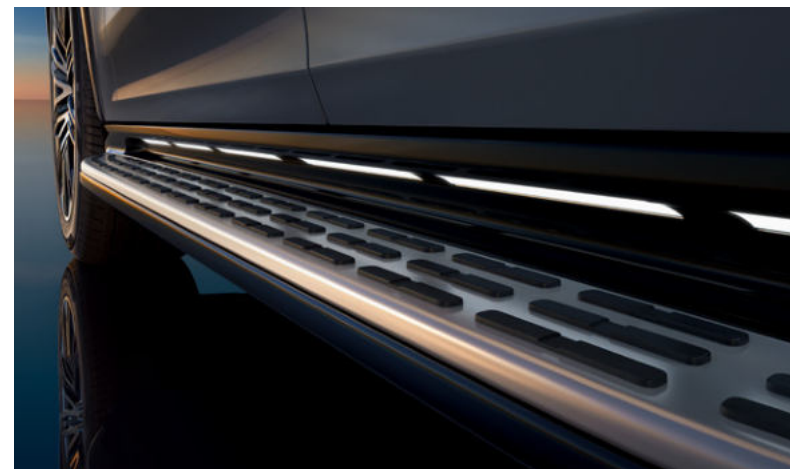
Book a test drive



Find your EQS SUV



Find a Showroom



Some of the model features, optional extras and colours shown may not be available, or may only be available in a different specification, or at a different price.

<a href="#">Design</a>	<a href="#">Technology</a>	<a href="#">Safety</a>	<a href="#">EQS SUV</a>	<a href="#">Mercedes-Maybach EQS SUV</a>	<a href="#">Model prices</a>	<a href="#">Personalisation</a>	<a href="#">Standard equipment</a>	<a href="#">Genuine accessories</a>	<a href="#">Technical data</a>	<a href="#">Additional information</a>
------------------------	----------------------------	------------------------	-------------------------	--	------------------------------	---------------------------------	------------------------------------	-------------------------------------	--------------------------------	--



Book a test drive



Find your EQS SUV



Find a Showroom



Some of the model features, optional extras and colours shown may not be available, or may only be available in a different specification, or at a different price.

Design	Technology	Safety	EQS SUV	Mercedes-Maybach EQS SUV	Model prices	Personalisation	Standard equipment	Genuine accessories	Technical data	Additional information
--------	------------	--------	---------	--------------------------	--------------	-----------------	--------------------	---------------------	----------------	------------------------



Book a test drive



Find your EQS SUV



Find a Showroom



Some of the model features, optional extras and colours shown may not be available, or may only be available in a different specification, or at a different price.

Design	Technology	Safety	EQS SUV	Mercedes-Maybach EQS SUV	Model prices	Personalisation	Standard equipment	Genuine accessories	Technical data	Additional information
--------	------------	--------	---------	--------------------------	--------------	-----------------	--------------------	---------------------	----------------	------------------------



Book a test drive



Find your EQS SUV



Find a Showroom



Some of the model features, optional extras and colours shown may not be available, or may only be available in a different specification, or at a different price.

<a href="#">Design</a>	<a href="#">Technology</a>	<a href="#">Safety</a>	<a href="#">EQS SUV</a>	<a href="#">Mercedes-Maybach EQS SUV</a>	<a href="#">Model prices</a>	<a href="#">Personalisation</a>	<a href="#">Standard equipment</a>	<a href="#">Genuine accessories</a>	<a href="#">Technical data</a>	<a href="#">Additional information</a>
------------------------	----------------------------	------------------------	-------------------------	--	------------------------------	---------------------------------	------------------------------------	-------------------------------------	--------------------------------	--



Book a test drive



Find your EQS SUV



Find a Showroom



Some of the model features, optional extras and colours shown may not be available, or may only be available in a different specification, or at a different price.

Design	Technology	Safety	EQS SUV	Mercedes-Maybach EQS SUV	Model prices	Personalisation	Standard equipment	Genuine accessories	Technical data	Additional information
--------	------------	--------	---------	--------------------------	--------------	-----------------	--------------------	---------------------	----------------	------------------------



Book a test drive



Find your EQS SUV



Find a Showroom



Some of the model features, optional extras and colours shown may not be available, or may only be available in a different specification, or at a different price.

Design	Technology	Safety	EQS SUV	Mercedes-Maybach EQS SUV	Model prices	Personalisation	Standard equipment	Genuine accessories	Technical data	Additional information
--------	------------	--------	---------	--------------------------	--------------	-----------------	--------------------	---------------------	----------------	------------------------



Book a test drive



Find your EQS SUV



Find a Showroom



Some of the model features, optional extras and colours shown may not be available, or may only be available in a different specification, or at a different price.

Design	Technology	Safety	EQS SUV	Mercedes-Maybach EQS SUV	Model prices	Personalisation	Standard equipment	Genuine accessories	Technical data	Additional information
--------	------------	--------	---------	--------------------------	--------------	-----------------	--------------------	---------------------	----------------	------------------------





EQS SUV

# Technology

# Mercedes-Benz User Experience (MBUX)

Transforming the in-car user experience, thanks to MBUX: Controlled via voice, touch or optional gesture input, the innovative infotainment system can over time even predict personal habits thanks to artificial intelligence.

### Voice control

- Activated by the keywords “Hey Mercedes”, the new intelligent voice control LINGUATRONIC<sup>1</sup> lets you control many of the infotainment functions, including destination input, phone calls or music selection
- MBUX is able to understand different accents and will adjust to you over time
- MBUX even understands indirect commands. Feeling chilly? Just say “I feel cold” and MBUX will adjust the temperature for you

### Personalisation

- Turn the EQS into your very own Mercedes-Benz by personalising driving modes, radio stations, ambient lighting and much more
- Your personal settings can be saved in up to seven different profiles, making your driving experience the best one possible
- Thanks to artificial intelligence, MBUX is able to learn and adapt over time. It will be able to predict your personal habits, such as navigation for frequently-driven routes, or the radio station you like to listen to on your way home from work

### Touch inputs

- Beside voice control you can operate MBUX via touchscreen, as well as touch control buttons on the steering wheel

### Maintenance and service

- Wondering when the next service is due? Or how much further you can drive until you need to stop at a charging station? Just ask your MBUX - it will tell you the answer



The connection of the communication module to the mobile phone network including the emergency call system depends on the respective network coverage and availability of network providers

<sup>1</sup>LINGUATRONIC off-board functions are currently only available for three years

Design	Technology	Safety	EQS SUV	Mercedes-Maybach EQS SUV	Model prices	Personalisation	Standard equipment	Genuine accessories	Technical data	Additional information
--------	------------	--------	---------	--------------------------	--------------	-----------------	--------------------	---------------------	----------------	------------------------

# MBUX Hyperscreen

Introducing the MBUX Hyperscreen – an evolution in display technology that transforms the user interface. Bringing together a 12.3-inch LCD driver display, a 17.7-inch OLED central display with haptic feedback, and an additional 12.3-inch OLED front passenger display under a seamless glass cover, the MBUX Hyperscreen sets a new standard for seamless connectivity and sophistication.

**Standard on all model lines**



**Consisting of:**

Driver display with 12.3-inch screen diagonal, LCD with LED matrix backlighting

OLED central display with 17.7-inch screen diagonal and haptic feedback

OLED front passenger display with 12.3-inch screen diagonal and haptic feedback

A continuous, seamless glass surface integrating all three displays

Design	Technology	Safety	EQS SUV	Mercedes-Maybach EQS SUV	Model prices	Personalisation	Standard equipment	Genuine accessories	Technical data	Additional information
--------	------------	--------	---------	--------------------------	--------------	-----------------	--------------------	---------------------	----------------	------------------------



Book a test drive



Find your EQS SUV



Find a Showroom

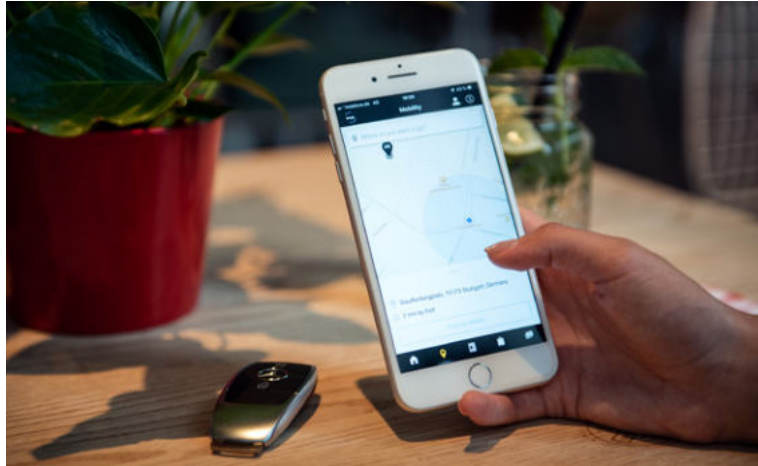
# Mercedes me connect Stay connected any time, anywhere.

# Mercedes *me*

Mercedes me is a range of innovative online services designed to enhance your Mercedes-Benz experience. Accessible via mobile, tablet or PC, Mercedes me lets you enjoy the highest standards of care and support, in a way that integrates seamlessly with your busy lifestyle.

### Safety and Service – Mercedes me connect helps to keep you and your car safe

Check your car's washer fluid level, tyre pressure and battery level from your phone so you'll be ready for every journey.



### Comfort – connect to your car anytime, anywhere

Forgot to lock your car? With Remote Car Lock<sup>2</sup> you will receive a notification on your smartphone to let you know. With one tap, you can lock and unlock your vehicle so you never have to worry.

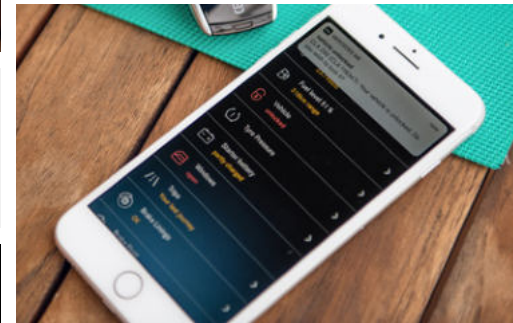
### Specific services for all-electric vehicles from Mercedes-Benz

Check your charging status on the go and programme your pre-entry climate control and charging settings remotely. The specific navigation services for all-electric vehicles from Mercedes-Benz consider electrical range, topography and charging stations.

### Live Traffic Information, Parked Vehicle Locator and much more with Mercedes me connect

Forgot where you've parked? Parked Vehicle Locator<sup>1</sup> will show you exactly where your car is as long as you're in a 1-mile radius of where you parked. Real-time traffic data and dynamic route with shorter journey times.

For more information speak to your local Mercedes-Benz Agent or visit the Mercedes me connect store at [shop.mercedes-benz.com/en-gb/connect](http://shop.mercedes-benz.com/en-gb/connect)



The connection of the communication module to the mobile phone network including the emergency call system depends on the respective network coverage and availability of network providers

<sup>1</sup>Available on all models with the Vehicle Monitoring package. This option may vary between standard and additional cost dependent on the model

<sup>2</sup>Part of the Vehicle Status package. This option may vary between standard and additional cost dependent on the model

Images shown are for illustration purposes only

Design	Technology	Safety	EQS SUV	Mercedes-Maybach EQS SUV	Model prices	Personalisation	Standard equipment	Genuine accessories	Technical data	Additional information
--------	------------	--------	---------	--------------------------	--------------	-----------------	--------------------	---------------------	----------------	------------------------

# Mercedes-Benz Integrated ServiceCare Effortless maintenance and peace of mind

Enjoy peace of mind with Mercedes-Benz Integrated ServiceCare, an exclusive service offering comprehensive support and maintenance, ensuring every aspect of your vehicle's upkeep, from brake fluid changes to dust filter replacements – all expertly handled.

With Integrated ServiceCare, you can enjoy worry-free maintenance coverage for up to 6 years or 90,000 km (56,250 miles), whichever comes first<sup>1</sup>. This comprehensive plan covers all maintenance operations<sup>2</sup>, including brake fluid change and dust filter replacement (Services A and B).

## Integrated ServiceCare

Standard on all models<sup>3</sup>

### Integrated ServiceCare includes:

**Maintenance services** – with a service schedule of A–B–A included, you can be reassured that all EQ-specific vehicle components are maintained, and your vehicle receives the appropriate level of care. Your preferred Mercedes-Benz Authorised Repairer will carry out either an 'A' or a more comprehensive 'B' service at the relevant mileage interval. This includes high-voltage battery conditioning checks as well as inspection of components, cables and sockets, and replacement of the dust filter. Parts, liquids and labour are all included.

**Additional work** – such as brake fluid replacement and servicing of panoramic sunroof mechanism. Parts, liquids and labour are all included.

### Please note that the following items are not covered by the Integrated ServiceCare:

Battery replacement for KEYLESS-GO vehicle key

Refilling or replacing the fragrance system's flacon (AIR-BALANCE package)



<sup>1</sup>The Integrated ServiceCare is fully transferrable to a new owner if there is coverage remaining

<sup>2</sup>Maintenance operations as defined by Mercedes-Benz AG

<sup>3</sup>All EQS SUV models from MY805 onwards will come with Mercedes-Benz Integrated ServiceCare as standard

Design	Technology	Safety	EQS SUV	Mercedes-Maybach EQS SUV	Model prices	Personalisation	Standard equipment	Genuine accessories	Technical data	Additional information
--------	------------	--------	---------	--------------------------	--------------	-----------------	--------------------	---------------------	----------------	------------------------



Book a test drive



Find your EQS SUV



Find a Showroom

# EQS SUV

Vehement power immediately from standstill: An electric motor at both the front and rear axle converts electrical into mechanical energy, and delivers impressive forward thrust. The intelligent operating strategy of the powertrain components supplies the power always wherever it is needed at the moment – efficiently and nearly silently.

## EQS 450 4MATIC SUV

Battery electric vehicle, 360 hp/265 kW  
Electric range 378-401 miles – WLTP

OTR from **£129,470<sup>1</sup>**

## EQS 580 4MATIC SUV

Battery electric vehicle, 544 hp/400 kW  
Electric range 378-401 miles – WLTP

OTR from **£139,470<sup>1</sup>**



### Standard equipment

AC charging system rated at 22 kW

AIRMATIC air suspension

Charging cable for wallbox and public charging stations,  
Type 2 (Mode 3) – 5 metres

Charging socket

DC charging system rated at 200 kW

Pre-entry climate control<sup>2</sup>

Radar-based recuperation

### Technical details

Electric range <sup>3</sup>	378-401 miles
Charging time	
Public Rapid charger (200 kW DC) 10-80% <sup>4</sup>	31 mins
Wallbox (22 kW AC) 0-100% <sup>5</sup>	6 hrs 15 mins
Home wallbox (7.4 kW AC) 0-100% <sup>5</sup>	18 hrs 30 mins
Energy consumption, combined <sup>3,6</sup>	210-223 Wh/km
Battery type (capacity)	lithium-ion (118.0 kWh)
Capacity on-board charger	22 kW AC; 200 kW DC

### Attention



Please be aware that external factors such as weather, gradient and ambient temperature amongst others can significantly impact range.



Please also note that internal factors such as driving style and climate control settings etc. can also significantly impact range.



Using the pre-entry climate control<sup>2</sup> when plugged into a charge point will ensure the perfect ambience and ensure that your car is just how you like it, as well as making sure that your battery isn't used unnecessarily to heat/cool the vehicle (maximising range).

<sup>1</sup>The recommended on-the-road price includes the Road Fund Licence applicable to the standard model plus delivery charge (£780.00 incl. VAT), new vehicle registration fee (£55.00) and number plates (£25.00 incl. VAT). VAT is calculated at the standard rate of 20%. Some of the model features, optional extras and colours shown may not be available, or may only be available in a different specification, or at a different price. <sup>2</sup>The connection of the communication module to the mobile phone network including the emergency call system depends on the respective network coverage and availability of network providers. <sup>3</sup>Figures shown are for comparability purposes; only compare with other cars tested to the same technical procedures. Figures may not reflect real life driving results, which will depend upon a number of factors including the starting charge of the battery, factory-fitted options, accessories fitted (post registration), variations in weather, driving styles and vehicle load. Further information about the test used to establish range, power consumption and CO<sub>2</sub> figures can be found at <http://www.mercedes-benz.co.uk/WLTP>. <sup>4</sup>Specified voltage and current values refer to network infrastructure and can be limited by the vehicle. Times are from 10-80% charge using public rapid charging at 200 kW. <sup>5</sup>Specified voltage and current values refer to network infrastructure and can be limited by the vehicle. Times are from 0-100% charge using a wallbox (three-phase) or standard socket (single-phase). <sup>6</sup>Specified voltage and current values refer to network infrastructure and can be limited by the vehicle.

[Book a test drive](#)[Find your EQS SUV](#)[Find a Showroom](#)

# Mercedes-Maybach EQS SUV

Vehement power immediately from standstill: An electric motor at both the front and rear axle converts electrical into mechanical energy, and delivers impressive forward thrust. The intelligent operating strategy of the powertrain components supplies the power always wherever it is needed at the moment – efficiently and nearly silently.



## EQS 680 First Class SUV

Battery electric vehicle, 658 hp/484 kW  
Electric range 351–369 miles – WLTP

OTR from **£200,860<sup>1</sup>**

### Standard equipment

AC charging system rated at 22 kW

AIRMATIC air suspension

Charging cable for wallbox and public charging stations,  
Type 2 (Mode 3) – 5 metres

Charging socket

DC charging system rated at 200 kW

Pre-entry climate control<sup>2</sup>

Radar-based recuperation

### Technical details

Electric range <sup>3</sup>	351–369 miles
Charging time	
Public Rapid charger (200 kW DC) 10–80% <sup>4</sup>	31 mins
Wallbox (22 kW AC) 0–100% <sup>5</sup>	6 hrs 15 mins
Home wallbox (7.4 kW AC) 0–100% <sup>5</sup>	18 hrs 30 mins
Energy consumption, combined <sup>3,6</sup>	227–238 Wh/km
Battery type (capacity)	lithium-ion (118.0 kWh)
Capacity on-board charger	22 kW AC; 200 kW DC

### Attention



Please be aware that external factors such as weather, gradient and ambient temperature amongst others can significantly impact range.



Please also note that internal factors such as driving style and climate control settings etc. can also significantly impact range.



Using the pre-entry climate control<sup>2</sup> when plugged into a charge point will ensure the perfect ambience and ensure that your car is just how you like it, as well as making sure that your battery isn't used unnecessarily to heat/cool the vehicle (maximising range).

<sup>1</sup>The recommended on-the-road price includes the Road Fund Licence applicable to the standard model plus delivery charge (£780.00 incl. VAT), new vehicle registration fee (£55.00) and number plates (£25.00 incl. VAT). VAT is calculated at the standard rate of 20%. Some of the model features, optional extras and colours shown may not be available, or may only be available in a different specification, or at a different price. <sup>2</sup>The connection of the communication module to the mobile phone network including the emergency call system depends on the respective network coverage and availability of network providers. <sup>3</sup>Figures shown are for comparability purposes; only compare with other cars tested to the same technical procedures. Figures may not reflect real life driving results, which will depend upon a number of factors including the starting charge of the battery, factory-fitted options, accessories fitted (post registration), variations in weather, driving styles and vehicle load. Further information about the test used to establish range, power consumption and CO<sub>2</sub> figures can be found at <http://www.mercedes-benz.co.uk/WLTP>. <sup>4</sup>Specified voltage and current values refer to network infrastructure and can be limited by the vehicle. Times are from 10–80% charge using public rapid charging at 200 kW. <sup>5</sup>Specified voltage and current values refer to network infrastructure and can be limited by the vehicle. Times are from 0–100% charge using a wallbox (three-phase) or standard socket (single-phase). <sup>6</sup>Specified voltage and current values refer to network infrastructure and can be limited by the vehicle.



Book a test drive



Find your EQS SUV



Find a Showroom

# Mercedes me Charge<sup>1</sup> Features.

# Mercedes *me*

Mercedes me Charge<sup>1</sup> provides access to a multitude of public charging stations located in shopping centres, hotels or at motorway services. A smartphone app as well as the vehicle's navigation system show the precise location, current availability and price at the selected charging station.

### Tens of thousands charging stations in the UK

Growing network of charging providers includes bp pulse the largest charging network in the UK. Customers also get six months free bp pulse membership which reduces the electricity price when charging.



### Access to fast-charging stations

Enables customers to get access to charging stations of different providers with:

- Mercedes me app
- RFID card
- Vehicle Head unit

### Charging with IONITY

IONITY unlimited – free rapid charging for one year at all IONITY stations.<sup>2</sup>

### Green charging

All charging using Mercedes me Charge<sup>1</sup>, will be retrospectively 'greened' by Mercedes-Benz. Please click [here](#) for more info.

### Transparent and easy billing

One invoice charging processes for payment.

### Easy access

Charging stations are displayed in Mercedes me app and in MBUX multimedia system.

### No fees

Mercedes me Charge<sup>1</sup> is standard with EQS SUV.

### Charging settings and pre-entry climate control<sup>1</sup>

Enjoy your feel-good temperature when you enter your vehicle. You can simply preheat or precool the interior by setting the temperature via the Mercedes me app. In addition, the current charge status can be retrieved at any time using the Mercedes me app.

### Navigation with Electric Intelligence

Offering you the greatest possible planning security on the road. Many items of information, such as a fast and convenient route, current state of battery charge, weather data and charging infrastructure, are interlinked. A convenient and time-efficient route is then suggested to you, including charging stops if necessary.



<sup>1</sup>The connection of the communication module to the mobile phone network including the emergency call system depends on the respective network coverage and availability of network providers

<sup>2</sup>With the Mercedes me connect IONITY unlimited service, charging costs are only included for EQS customers for one year from activation of the service. Please note that this exclusive offer is applicable to the first registered owner of the vehicle only and expires at the end of a period of one year from the activation of the service and cannot be transferred to third parties

Design	Technology	Safety	EQS SUV	Mercedes-Maybach EQS SUV	Model prices	Personalisation	Standard equipment	Genuine accessories	Technical data	Additional information
--------	------------	--------	---------	--------------------------	--------------	-----------------	--------------------	---------------------	----------------	------------------------



# Mercedes me Charge<sup>1</sup> Tariffs



For more transparency and predictability, enjoy numerous features tailored to your charging habits with the new Mercedes me Charge<sup>1</sup> fixed-priced tariffs S, M and L. Owners of a new all-electric model from Mercedes-Benz will be entitled to the Mercedes me Charge<sup>1</sup> tariff L free of charge for the duration of 12 months.

## Tariff L

Recommended for 'frequent drivers'

Choose our tariff L to benefit from the best fixed prices for public charging, including discounted rapid-charging at IONITY charging stations as well as all Mercedes me Charge<sup>1</sup> features. This tariff is recommended for frequent and long-distance drivers.

Consisting of:

- All Mercedes me Charge<sup>1</sup> features
- Fixed prices per kWh (AC: £0.45/kWh, after 300 mins + £0.06/min; DC: £0.59/kWh)<sup>2</sup>
- IONITY rapid-charging stations discounted (£0.59/kWh)

**Free of charge for the duration of 12 months.**

**Thereafter:**

**£10.90/month**

## Tariff M

Recommended for 'regular drivers'

Should you wish to downgrade your tariff package after 12 months but still want to benefit from fixed prices, discounted rapid-charging at IONITY charging stations and complete transparency, choose tariff M. This tariff is recommended for regular drivers.

Consisting of:

- All Mercedes me Charge<sup>1</sup> features
- Fixed prices per kWh (AC: £0.52/kWh, after 300 mins + £0.06/min; DC: £0.67/kWh)<sup>2</sup>
- IONITY rapid-charging stations discounted (£0.67/kWh)

**£4.90/month**

## Tariff S

Recommended for 'casual drivers'

Should you wish to downgrade your tariff package after 12 months, there is the option to go for tariff S, which still offers you all the Mercedes me Charge<sup>1</sup> features based on flexible prices per kWh. This tariff is recommended for casual drivers.

Consisting of:

- All Mercedes me Charge<sup>1</sup> features
- Flexible prices per kWh

**£0/month**



<sup>1</sup>The connection of the communication module to the mobile phone network including the emergency call system depends on the respective network coverage and availability of network providers  
page: <https://eu.charge.mercedes.me/web/en/daimler-gb/tariffs>

<sup>2</sup>Tariff rate excludes the BP Pulse charging network

Price information is not guaranteed and is subject to change. Definitive price information can be found on the Digital Charging Solutions

# Next generation of home EV charging with Ohme



Mercedes-Benz plug-in vehicle customers with off-street parking can benefit from the convenience and speed of charging at home by installing an Ohme charger.

## Home charging with Ohme: from £925\* incl. VAT and standard installation

### Key benefits of Ohme:

Ohme specialise in providing future-proof electric vehicle charging solutions, in particular smart, affordable and easy-to-use charging products.

Save money: If you have a time-of-use tariff or a variable tariff, you'll pay less for your electricity at certain times of the day. Ohme uses your tariff information to charge your vehicle when the price is low to maximise your savings.

Ohme is the only EV charging provider to integrate with all energy tariffs, including Intelligent Octopus and OVO Charge Anytime – the next generation, smart EV charging tariffs.

Easy installation process.

Choice of tethered or untethered units.

Award-winning customer service – check Trustpilot for more information.

A 3-year warranty is included.

Connect your charger to the Ohme smartphone app to unlock smarter and cheaper charging at home. Easy-to-use, the Ohme app will give you full control to get more from your EV.

Ohme's chargers are compliant with the UK New Smart Charger Regulations for complete peace of mind.

### OZEV Grant:

You may be entitled to claim for an OZEV grant towards the cost of your home charger!<sup>1</sup> To find out whether you are entitled please contact your local Mercedes-Benz Agent.

### Questions?

Please contact your local Mercedes-Benz Agent to submit an enquiry to your chosen charging partner on your behalf. To find your local Mercedes-Benz Agent, please click the button at the top right hand corner.

### Warning!

If you are planning to charge your Mercedes-Benz plug-in electric vehicle using a 3-pin domestic plug socket you must get a qualified electrician to inspect and sign off the socket to confirm it is safe and suitable to charge your vehicle. Do not use an electric vehicle 3-pin charge cable with an extension cord.



\*Price excludes £350 OZEV EVHS Grant. Price correct at time of publication, subject to change

<sup>1</sup>The home charger £350 Grant (including VAT) is only available to customers who meet the criteria of the Office for Zero Emission Vehicles (OZEV). For full details and eligibility criteria for the OZEV EVHS Grant, see <https://www.gov.uk/government/publications/electric-vehicle-homecharge-scheme-guidance-for-customers-version-21>.



# Home charging with Pod Point Simple, convenient, fast charging.

Mercedes-Benz plug-in vehicle customers with off-street parking can benefit from the convenience and speed of charging at home by installing a Pod Point home charger.

## Home charging with Pod Point: from £925\* incl. VAT and standard installation

For full terms and conditions please visit <https://pod-point.com/legal/home-charger-terms-of-sale>

### Key benefits of Pod Point:

Pod Point is one of the leading provider of EV charging in the UK with over 200,000 home chargepoints installed.

A comprehensive 3 year 'swap out' warranty is included.

Auto Power Balancing lets you adjust your charge so that your electrical supply doesn't get overloaded when your home is using a lot of energy.

Built-in earthing protection removes the needs for expensive earth rods.

Choice of tethered or untethered units; £925 for a 7 kW universal, and £975 for 7 kW tethered.

The Pod Point public network consists of over 9,200 charging bays across the UK.

5 year warranty as standard, free of charge.

The standard installation package includes up to 15m of external cabling.

Utilise charge scheduling in conjunction with an off-peak EV tariff to reduce your charging costs by 70% compared with the current Energy Price Cap.<sup>1</sup>

### OZEV Grant:

You may be entitled to claim for an OZEV grant towards the cost of your home charger.<sup>2</sup>

To find out whether you are entitled please contact your local Mercedes-Benz Agent.

### Questions?

Please contact your local Mercedes-Benz Agent to submit an enquiry to your chosen charging partner on your behalf. To find your local Mercedes-Benz Agent, please click the button at the top right hand corner.

### Warning!

If you are planning to charge your Mercedes-Benz plug-in electric vehicle using a 3-pin domestic plug socket you must get a qualified electrician to inspect and sign off the socket to confirm it is safe and suitable to charge your vehicle. Do not use an electric vehicle 3-pin charge cable with an extension cord.



<sup>1</sup>Price excludes £350 OZEV EVHS Grant. Price correct at time of publication, subject to change <sup>2</sup>Based on an off-peak tariff of 8 p/kWh compared with the energy price cap as of 1 October 2023 of 26.92 p/kWh <sup>3</sup>The home charger £350 Grant (including VAT) is only available to customers who meet the criteria of the Office for Zero Emission Vehicles (OZEV). For full details and eligibility criteria for the OZEV EVHS Grant, see <https://www.gov.uk/government/publications/electric-vehicle-homecharge-scheme-guidance-for-customers-version-21>.



Book a test drive



Find your EQS SUV



Find a Showroom

EQS SUV

# Safety



Design	Technology	Safety	EQS SUV	Mercedes-Maybach EQS SUV	Model prices	Personalisation	Standard equipment	Genuine accessories	Technical data	Additional information
--------	------------	--------	---------	--------------------------	--------------	-----------------	--------------------	---------------------	----------------	------------------------

# DIGITAL LIGHT

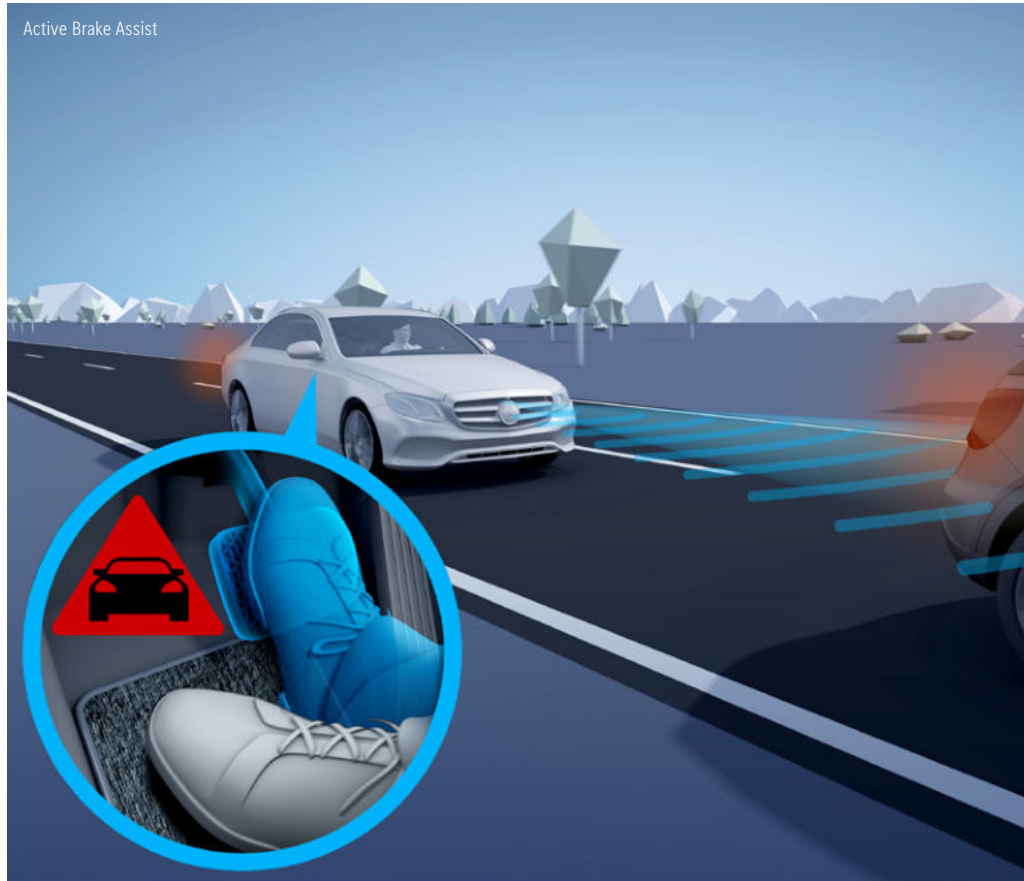
High-definition headlamps with innovative features.

The new innovative DIGITAL LIGHT headlamps works like a projector with more than one million pixels per headlamp and responds with brilliant light to changing traffic, road or weather conditions. Its ULTRA RANGE Highbeam with 650 m makes you feel like driving at daylight.

**Standard on all model lines**



# Driving Assistance package Plus<sup>1</sup> Cares for what matters.



Active Brake Assist

The new EQS SUV comes with standard ground-breaking innovations in safety, comfort and driving functions, to help you stay safe on the road.

## Standard on all model lines

**Active Blind Spot Assist** expanded with blind spot monitoring towards the front and side. Additional hazard indication of the blind spot warning system as well as exit warning function

**Active Brake Assist with cross-traffic function** now with turning manoeuvre function (responding to (among other things) crossing pedestrians when making a turn). Operating range on urban routes expanded to 74 mph (previously 44 mph)

**Active Distance Assist DISTRONIC** now responds to stationary road users to prevent collisions up to 80 mph (previously 37 mph)

**Active Emergency Stop Assist:** now able to assist in manual mode (previously on in DISTRONIC mode). Optional lane change by one lane (at 49 mph where no obstacles detected)

**Active Evasive Steering Assist:** now responds to cyclists and ends of tailbacks in addition to pedestrians. Operating range on urban routes expanded to 67 mph (previously 44 mph)

**Active Lane Keeping Assist** with enhanced comfort thanks to active steering intervention (instead of braking intervention) and additional hazard indication

**Active Speed Limit Assist** ensures detected speed limits are automatically adopted as the set speed for Active Distance Assist DISTRONIC

**Active Traffic Sign Assist**

**Congestion emergency braking function**

**Exit warning function when hand moves towards the door handles**

**Extended automatic restart on motorways**

**Hazard display via ambience lighting**

Increased availability and cornering performance on carriageways with **Active Steering Assist**, more stern warnings to put hands on the steering wheel with new capacitive steering wheel

**PRE-SAFE® PLUS and Impulse Side with body-raising function:** when a rear-end collision threatens, PRE-SAFE® PLUS can initiate preventive measures, including warning following traffic and locking the brakes on standstill

**Route-based speed adjustment with end of traffic jam function and Active Stop-and-Go Assist** adaption of speed before curves, roundabouts and junctions with end of traffic jam function

<sup>1</sup>Our driver assistance and safety systems are aids and do not relieve you of your responsibility as the driver. Please take note of the information in the Owner's Manual and the system limits which are described therein

# EQS SUV

Model lines overview

## AMG Line Premium Plus »



## Business Class »



Design	Technology	Safety	EQS SUV	Mercedes-Maybach EQS SUV	Model prices	Personalisation	Standard equipment	Genuine accessories	Technical data	Additional information
--------	------------	--------	---------	--------------------------	--------------	-----------------	--------------------	---------------------	----------------	------------------------

# EQS AMG Line Premium Plus



No-cost option shown: sodalite blue metallic (code 842)

### The ultimate modern choice.

The EQS AMG Line Premium Plus SUV offers plenty of space, comfort and connectivity for up to seven passengers. The exterior is defined through 21" AMG multi-spoke alloy wheels, AMG exterior styling as well as the distinctive radiator grille with Mercedes-Benz star pattern. The interior is accented through the AMG Interior Design package, including

comfort seats and a heated AMG sports steering wheel, as well as nappa leather upholstery in black/space grey complemented by anthracite linestructure lime wood trim.

**EQS AMG Line Premium Plus SUV**

**OTR from £129,470<sup>1</sup>**

<sup>1</sup>The recommended on-the-road price includes the Road Fund Licence applicable to the standard model plus delivery charge (£780.00 incl.VAT), new vehicle registration fee (£55.00) and number plates (£25.00 incl.VAT). VAT is calculated at the standard rate of 20%. Some of the model features, optional extras and colours shown may not be available, or may only be available in a different specification, or at a different price

Design	Technology	Safety	EQS SUV	Mercedes-Maybach EQS SUV	Model prices	Personalisation	Standard equipment	Genuine accessories	Technical data	Additional information
--------	------------	--------	---------	--------------------------	--------------	-----------------	--------------------	---------------------	----------------	------------------------



# EQS AMG Line Premium Plus Standard equipment highlights



### Exterior

21" AMG alloy wheels – multi-spoke design, aerodynamically optimised, painted high-gloss black with a high-sheen finish (code RWX)

Acoustic Comfort package

Aluminium-look, illuminated running boards with rubber studs

AMG exterior styling

Heat pump

Mirror package

Panoramic sliding sunroof

Privacy glass

Radiator grille with Mercedes-Benz star pattern

Surround lighting with animated projection of the Mercedes-Benz pattern, 2 ×

Summer tyres





### Safety and Assistance Systems

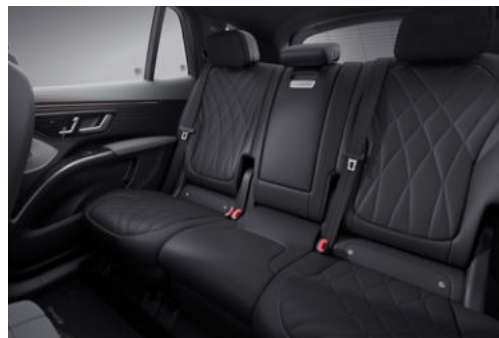
- Dashcam
- Driving Assistance package Plus<sup>1</sup>
- DYNAMIC SELECT
- GUARD 360° vehicle protection Plus<sup>2</sup>
- KEYLESS-GO Comfort package

### Servicing

Mercedes-Benz Integrated ServiceCare – the maintenance service covers all necessary maintenance work for 6 years or 90,000 km (56,250 miles)<sup>3</sup>

### Communications and In-Car Entertainment

- 12.3-inch driver instrument cluster display
- Augmented head-up display
- Burmester® 3D surround sound system
- EQ navigation services<sup>2</sup>
- Fingerprint scanner
- MBUX Hyperscreen
- MBUX Interior Assistant (front)
- Wireless charging<sup>4</sup> for mobile devices (front)



### Interior

Active Ambient Lighting	ENERGIZING package	Memory package
AIR-BALANCE package	Heated front, rear and third row seats	Seven seats
AMG Interior Design package	Heated steering wheel	THERMOTRONIC automatic climate control (front and rear)
Climatised front seats	Interior Light package	

### Trim and Upholstery

Nappa leather – black/space grey      Anthracite linestructure lime wood



<sup>1</sup>Our driver assistance and safety systems are aids and do not relieve you of your responsibility as the driver. Please take note of the information in the Owner's Manual and the system limits which are described therein of network providers

<sup>2</sup>The connection of the communication module to the mobile phone network including the emergency call system depends on the respective network coverage and availability

<sup>3</sup>The Integrated ServiceCare is fully transferrable to a new owner if there is coverage remaining. All EQS SUV models from MY805 onwards will come with Mercedes-Benz Integrated ServiceCare as standard

<sup>4</sup>Compatible mobile phone required

# EQS Business Class



No-cost option shown: selenite grey metallic (code 992)

## Luxury inside out.

The EQS Business Class SUV provides additional comfort features and high entertainment inside the cabin. The spacious interior comes with multi-contour seats including energizing massage function and luxury front head restraints.

In the rear, passengers can access content via two high-resolution displays thanks to the MBUX High-End Rear Seat Entertainment System.

**EQS Business Class SUV**  
**Upgrade price from EQS AMG Line Premium Plus SUV**

**OTR from £143,795<sup>1</sup>**  
**£14,325**

<sup>1</sup>The recommended on-the-road price includes the Road Fund Licence applicable to the standard model plus delivery charge (£780.00 incl.VAT), new vehicle registration fee (£55.00) and number plates (£25.00 incl.VAT). VAT is calculated at the standard rate of 20%. Some of the model features, optional extras and colours shown may not be available, or may only be available in a different specification, or at a different price

Design	Technology	Safety	EQS SUV	Mercedes-Maybach EQS SUV	Model prices	Personalisation	Standard equipment	Genuine accessories	Technical data	Additional information
--------	------------	--------	---------	--------------------------	--------------	-----------------	--------------------	---------------------	----------------	------------------------

# EQS Business Class Standard equipment highlights



No-cost option shown: selenite grey metallic (code 992)



No-cost option shown: selenite grey metallic (code 992)



Design	Technology	Safety	EQS SUV	Mercedes-Maybach EQS SUV	Model prices	Personalisation	Standard equipment	Genuine accessories	Technical data	Additional information
--------	------------	--------	---------	--------------------------	--------------	-----------------	--------------------	---------------------	----------------	------------------------



**Communications and In-Car Entertainment**

MBUX High-End Rear Seat Entertainment System

MBUX Interior Assistant (front and rear)

MBUX rear tablet

Multifunction telephony

TV receiver

Wireless charging<sup>1</sup> for mobile devices (front and rear)

<sup>1</sup>Compatible mobile phone required



**Interior**

Electric Art interior styling

ENERGIZING package Plus

Luxury front head restraints

Multi-contour seats with energizing massage function

Rear Seat Comfort package

Seat heating Plus for driver and front passenger seats

**Trim and Upholstery**

Nappa leather - macchiato beige/space grey

Ship's deck open-pore Norway maple wood trim



# Upholstery

● Standard    – Not available



**801A Nappa leather<sup>1</sup> – black/space grey**

AMG Line Premium Plus

●

Business Class

–



**805A Nappa leather<sup>1</sup> – macchiato beige/space grey**

AMG Line Premium Plus

–

Business Class

●

<sup>1</sup>100% of seat upholstery is pure leather    Please note that, owing to limitations of on-screen representation, upholstery colours may differ from those shown

Design	Technology	Safety	EQS SUV	Mercedes-Maybach EQS SUV	Model prices	Personalisation	Standard equipment	Genuine accessories	Technical data	Additional information
--------	------------	--------	---------	--------------------------	--------------	-----------------	--------------------	---------------------	----------------	------------------------



EQS SUV

# Mercedes-Maybach

Some of the model features, optional extras and colours shown may not be available, or may only be available in a different specification, or at a different price.

Design	Technology	Safety	EQS SUV	Mercedes-Maybach EQS SUV	Model prices	Personalisation	Standard equipment	Genuine accessories	Technical data	Additional information
--------	------------	--------	---------	--------------------------	--------------	-----------------	--------------------	---------------------	----------------	------------------------

# Mercedes-Maybach EQS 680 First Class SUV



Standard paint shown: obsidian black metallic (code 197)

## Luxury in Electric Elegance.

Unveiling the Mercedes-Maybach EQS 680 First Class SUV, a pinnacle of luxury and innovation. Its 21" Maybach bi-colour alloy wheels and distinctive exterior styling set a new standard. Experience opulent travel with a panoramic sunroof, Burmester® 4D surround sound, and the MBUX High-End Rear Seat Entertainment System.

Indulge in ultimate comfort with multicontour seats and an energizing massage function, all effortlessly controlled via the cutting-edge MBUX Hyperscreen.

**Mercedes-Maybach EQS 680 First Class SUV**

**OTR from £200,860<sup>1</sup>**

<sup>1</sup>The recommended on-the-road price includes the Road Fund Licence applicable to the standard model plus delivery charge (£780.00 incl. VAT), new vehicle registration fee (£55.00) and number plates (£25.00 incl. VAT). VAT is calculated at the standard rate of 20%. Some of the model features, optional extras and colours shown may not be available, or may only be available in a different specification, or at a different price

Design	Technology	Safety	EQS SUV	Mercedes-Maybach EQS SUV	Model prices	Personalisation	Standard equipment	Genuine accessories	Technical data	Additional information
--------	------------	--------	---------	--------------------------	--------------	-----------------	--------------------	---------------------	----------------	------------------------





● Full standard equipment list



Book a test drive



Find your EQS SUV



Find a Showroom

# Mercedes-Maybach EQS 680 First Class SUV

Standard equipment highlights

# MAYBACH



Standard paint shown: obsidian black metallic (code 197)



Standard paint shown: obsidian black metallic (code 197)

### Exterior

21" Maybach alloy wheels - multi-spoke design, aerodynamically optimised, painted bi-colour look with a high-sheen finish (code 03R)

AIRMATIC air suspension and Adaptive Damping System

Mercedes-Maybach exterior styling

Mercedes-Maybach radiator grille

Panoramic sliding sunroof

Summer tyres



Design	Technology	Safety	EQS SUV	Mercedes-Maybach EQS SUV	Model prices	Personalisation	Standard equipment	Genuine accessories	Technical data	Additional information
--------	------------	--------	---------	--------------------------	--------------	-----------------	--------------------	---------------------	----------------	------------------------



### Communications and In-Car Entertainment

Burmester® 4D surround sound system	MBUX rear tablet
MBUX High-End Rear Seat Entertainment System	Smartphone integration <sup>1</sup>
MBUX Hyperscreen	Wireless charging <sup>1</sup> , front and rear



### Safety and Assistance Systems

Driving Assistance package Plus <sup>2</sup>	GUARD 360° vehicle protection Plus <sup>3</sup>
Parking package – Active Parking Assist and 360° camera	

### Trim and Upholstery

MANUFAKTUR high-gloss black flowing lines piano lacquer	Exclusive nappa leather – balao brown pearl/ espresso brown
---	---

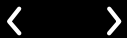


### Interior

AIR BALANCE package	Heated steering wheel
Active Ambient Lighting	Memory package
Climatised seats, front and rear	Multicontour seats with energising massage function, front and rear
Illuminated door sill panels with 'Maybach' lettering, front and rear	Seat heating Plus, front and rear
ENERGIZING package Plus	THERMOTRONIC automatic climate control, front and rear

<sup>1</sup>Compatible mobile phone required <sup>2</sup>Our driver assistance and safety systems are aids and do not relieve you of your responsibility as the driver. Please take note of the information in the Owner's Manual and the system limits which are described therein

<sup>3</sup>The connection of the communication module to the mobile phone network including the emergency call system depends on the respective network coverage and availability of network providers

[Book a test drive](#)[Find your EQS SUV](#)[Find a Showroom](#)

# Model prices

Model line	Powertrain	CO <sub>2</sub> WLTP <sup>1*</sup>	Basic RRP excl. VAT (£)	Total RRP incl. VAT (£)	Road Fund Licence (£) <sup>2</sup> WLTP	Rec. OTR price (£) <sup>3</sup> WLTP	P11D value (£)	BiK tax rate 2024/25 (%) <sup>2</sup>
<b>AMG Line Premium Plus</b>								
EQS 450 4MATIC SUV	Battery electric vehicle, 360 hp/265 kW Electric range up to 401 miles – WLTP <sup>1</sup>	0	107,175.00	128,610.00	0.00	<b>129,470.00</b>	129,415.00	2
EQS 580 4MATIC SUV	Battery electric vehicle, 544 hp/400 kW Electric range up to 400 miles – WLTP <sup>1</sup>	0	115,508.33	138,610.00	0.00	<b>139,470.00</b>	139,415.00	2
<b>Business Class</b>								
EQS 450 4MATIC SUV	Battery electric vehicle, 360 hp/265 kW Electric range up to 401 miles – WLTP <sup>1</sup>	0	119,112.50	142,935.00	0.00	<b>143,795.00</b>	143,740.00	2
EQS 580 4MATIC SUV	Battery electric vehicle, 544 hp/400 kW Electric range up to 400 miles – WLTP <sup>1</sup>	0	127,445.83	152,935.00	0.00	<b>153,795.00</b>	153,740.00	2
<b>Mercedes-Maybach First Class</b>								
EQS 680 SUV	Battery electric vehicle, 658 hp/484 kW Electric range up to 369 miles – WLTP <sup>1</sup>	0	166,666.67	200,000.00	0.00	<b>200,860.00</b>	200,805.00	2

<sup>1</sup>The indicated values were determined according to the prescribed measurement method - Worldwide Harmonised Light Vehicle Test Procedure (WLTP). Figures shown may include options which are not available in the UK. Battery Electric Vehicles (BEV) require mains electricity for charging, range figures determined with the battery fully charged. <sup>2</sup>Figures shown are for comparability purposes; only compare with other cars tested to the same technical procedures. Figures may not reflect real life driving results, which will depend upon a number of factors including the starting charge of the battery, factory-fitted options, accessories fitted (post registration), variations in weather, driving styles and vehicle load. Further information about the test used to establish range, power consumption and CO<sub>2</sub> figures can be found at <http://www.mercedes-benz.co.uk/WLTP> <sup>3</sup>A different first year rate of Vehicle Excise Duty (Road Fund Licence) applies for new cars. Please refer to page 59 for the relevant rate for the second and subsequent years <sup>3</sup>The recommended on-the-road price includes the Road Fund Licence applicable to the standard model plus delivery charge (£780.00 incl. VAT), new vehicle registration fee (£55.00) and number plates (£25.00 incl. VAT). VAT is calculated at the standard rate of 20%. Some of the model features, optional extras and colours shown may not be available, or may only be available in a different specification, or at a different price

# Colour options

● Standard   □ No-cost option   ○ Optional



**197 obsidian black metallic**

AMG Line Premium Plus	●
Business Class	●
Mercedes-Maybach First Class	●
<b>Total RRP incl. VAT</b>	-



**922 high-tech silver metallic**

AMG Line Premium Plus	□
Business Class	□
Mercedes-Maybach First Class	□
<b>Total RRP incl. VAT</b>	-



**992 selenite grey metallic**

AMG Line Premium Plus	□
Business Class	□
Mercedes-Maybach First Class	□
<b>Total RRP incl. VAT</b>	-



**885 MANUFAKTUR opalite white bright**

AMG Line Premium Plus	○
Business Class	○
Mercedes-Maybach First Class	○
<b>Total RRP incl. VAT</b>	<b>£695.00</b>



**842 sodalite blue metallic**

AMG Line Premium Plus	□
Business Class	□
Mercedes-Maybach First Class	□
<b>Total RRP incl. VAT</b>	-



**989 emerald green metallic**

AMG Line Premium Plus	□
Business Class	□
Mercedes-Maybach First Class	□
<b>Total RRP incl. VAT</b>	-



**956 MANUFAKTUR alpine grey solid**

AMG Line Premium Plus	○
Business Class	○
Mercedes-Maybach First Class	○
<b>Total RRP incl. VAT</b>	<b>£695.00</b>

Please note that, owing to limitations of on-screen representation, paint colours may differ from those shown

# Colour options Mercedes-Maybach EQS SUV (two-tone paints)

○ Optional



**C12 obsidian black/selenite grey metallic**

Mercedes-Maybach First Class

○

**Total RRP incl. VAT £18,095.00**



**C23 obsidian black/MANUFAKTUR kalahari gold metallic**

Mercedes-Maybach First Class

○

**Total RRP incl. VAT £18,095.00**



**C40 velvet brown/onyx black metallic**

Mercedes-Maybach First Class

○

**Total RRP incl. VAT £18,095.00**



**C20 high-tech silver/nautic blue metallic**

Mercedes-Maybach First Class

○

**Total RRP incl. VAT £18,095.00**



**C35 high-tech silver/obsidian black metallic**

Mercedes-Maybach First Class

○

**Total RRP incl. VAT £18,095.00**

Please note that, owing to limitations of on-screen representation, paint colours may differ from those shown

# Trim

● Standard    – Not available



**H08 anthracite linestructure lime wood trim**

AMG Line Premium Plus	●
Business Class	–
Mercedes-Maybach First Class	–
<b>Total RRP incl. VAT</b>	–



**07H ship's deck open-pore Norway maple wood trim**

AMG Line Premium Plus	–
Business Class	●
Mercedes-Maybach First Class	–
<b>Total RRP incl. VAT</b>	–



**H17 MANUFAKTUR black piano lacquer trim with flowing lines**

AMG Line Premium Plus	–
Business Class	–
Mercedes-Maybach First Class	●
<b>Total RRP incl. VAT</b>	–

# Trim

Optional     Not available



**H20 brown open-pore magnolia wood trim elements with Mercedes-Benz pattern in aluminium**

AMG Line Premium Plus	<input type="radio"/>
Business Class	<input type="radio"/>
Mercedes-Maybach First Class	<input type="checkbox"/>
<b>Total RRP incl. VAT</b>	<b>£790.00</b>



**06H MANUFAKTUR brown open-pore walnut wood trim**

AMG Line Premium Plus	<input type="checkbox"/>
Business Class	<input type="checkbox"/>
Mercedes-Maybach First Class	<input type="radio"/>
<b>Total RRP incl. VAT</b>	<b>£2,150.00</b>

# Wheels

● Standard   □ No-cost option   - Not available



**RWX 21" AMG alloy wheels - multi-spoke design, aerodynamically optimised, painted black with a high-shine finish, 265/40 R21 tyres**

AMG Line Premium Plus	●
Business Class	●
<b>Total RRP incl. VAT</b>	-



**RPA 22" AMG alloy wheels - multi-spoke design, aerodynamically optimised, painted high-gloss black with a high-shine finish, 275/40 (front) and 285/40 (rear) R22 tyres**

AMG Line Premium Plus	-
Business Class	□
<b>Total RRP incl. VAT</b>	-



# Wheels Mercedes-Maybach First Class

● Standard ○ Optional



**03R 21" Maybach alloy wheels - multi-spoke design, aerodynamically optimised, painted bi-colour look with a high-sheen finish, 275/45 R21 tyres**

Mercedes-Maybach First Class ●  
**Total RRP incl. VAT -**



**23R 21" Maybach alloy wheels - multi-spoke design, aerodynamically optimised, painted bi-colour look with a high-sheen finish, 275/45 R21 tyres**

Mercedes-Maybach First Class ○  
**Total RRP incl. VAT £2,000.00**



**88R 21" Maybach forged alloy wheels - 5-hole design, aerodynamically optimised, painted and polished in bi-colour look, 275/45 R21 tyres**

Mercedes-Maybach First Class ○  
**Total RRP incl. VAT £3,500.00**



**06R 22" Maybach forged alloy wheels - 7-hole design, aerodynamically optimised, painted bi-colour look with a high-sheen finish, 275/40 R22 tyres**

Mercedes-Maybach First Class ○  
**Total RRP incl. VAT £4,000.00**

# MANUFAKTUR Exclusive Leather package

The MANUFAKTUR Exclusive Leather package enhances the exciting Maybach aesthetics of the interior with exquisite materials.

**MANUFAKTUR Exclusive Leather package (code PBE)** – designed and priced as a package, including items as listed on the right-hand side.

**Only available for Mercedes-Maybach First Class**

**Total incl. VAT £20,895.00**

## Consisting of:

MANUFAKTUR crystal white/silver grey pearl (code 519A)

Roof lining in MANUFAKTUR silver grey pearl nappa leather

Side instrument panel cover on driver's and front passenger side in nappa leather

Trim of A-, B-, C- and D-pillars in nappa leather

Window frame lining at the front and in the rear in nappa leather



# Standard equipment

● Standard   ○ Optional   – Not available

## Battery and Charging

	AMG Line Premium Plus	Business Class
22kW on-board charger	●	●
118kWh battery	●	●
200kW on-board charger	●	●
CCS-2 connector (DC charging with combined charging system, compatible with AC and DC)	●	●
Charging cable – Mode 3 cable (5 metres), Type 2, enables you to charge the vehicle battery via the wallbox or at public charging stations	●	●
Heat pump	●	●
IONITY unlimited – free rapid charging for one year at all IONITY stations <sup>1</sup>	●	●
Mercedes me Charge <sup>2</sup> – fully integrated access to a host of public charging stations. A single contract covers all billing. One-time registration and activation as part of Mercedes me connect <sup>2</sup> . Use via app, MBUX multimedia system or RFID card	●	●
Vehicle socket flap, electric	●	●

## Steering, Transmission and Suspension

AIRMATIC air suspension struts with integrated adaptive damping system at the front and rear axle – automatic level control system, depending on load: load detection for a constant suspension level. Suspension level can be raised for rough roads and is automatically lowered at high speeds, MBUX can remember these actions and suggest them when arriving at the same location. At the touch of a button, you can also extend the ground clearance by up to 25 mm	●	●
DYNAMIC SELECT – five different drive programs: ECO, COMFORT, SPORT and OFF-ROAD drive programs with the ability to save an INDIVIDUAL program, touch-sensitive button for selecting the DYNAMIC SELECT drive programs in the control unit on the centre console. Four recuperation levels, activated via the steering wheel shift paddles Dauto (intelligent recuperation, gliding or recuperation depending on the situation), D+ no recuperation, gliding D, weak recuperation (default setting) and D - (higher recuperation)	●	●
Steering – 10° rear axle steering	●	●

## Exterior

	AMG Line Premium Plus	Business Class
Acoustic Comfort package – for an extraordinarily calm vehicle interior: special glass membranes, reinforced felts and additional insulation effectively help to reduce disruptive exterior noise	●	●
Aluminium-look, illuminated running boards with rubber studs	●	●
AMG exterior styling	●	●
Headlamps – DIGITAL LIGHT	●	●
Heat-insulating, noise-insulating and infrared-reflecting laminated glass	●	●
Heated windscreen washer system	●	●
Mirror package – electrically folding exterior mirrors, automatically dimming interior and exterior driver mirror, surround lighting in both outside mirrors with brand logo projection to illuminate the entrance area	●	●
Panoramic sliding sunroof	●	●
Privacy glass – dark tinted rear and rear side windows	●	●
Radiator grille with Mercedes-Benz star pattern	●	●
Surround lighting with animated projection of the Mercedes-Benz pattern, 2x	●	●

## Wheels

21" AMG alloy wheels – multi-spoke design, aerodynamically optimised, painted black with a high-sheen finish, with 265/40 R21 tyres (code RWX)	●	●
Summer tyres	●	●

<sup>1</sup>With the Mercedes me connect IONITY unlimited service, charging costs are only included for EQS customers for one year from activation of the service. Please note that this exclusive offer is applicable to the first registered owner of the vehicle only and expires at the end of a period of one year from the activation of the service and cannot be transferred to third parties  
<sup>2</sup>The connection of the communication module to the mobile phone network including the emergency call system depends on the respective network coverage and availability of network providers

# Standard equipment

● Standard    – Not available

## Interior

	AMG Line Premium Plus	Business Class
AIR-BALANCE package	●	●
AMG Interior Design package – comfort seats, AMG sports steering wheel, AMG pedals, AMG door sills with AMG illuminated lettering and AMG velour floor mats	●	–
Electric Art Interior Design package – comfort seats, multifunction steering wheel in nappa leather and black velour floor mats	–	●
ENERGIZING package	●	–
ENERGIZING package Plus	–	●
Lighting – active ambient lighting – 64 colours with direct light lines	●	●
Lighting – Interior Light package	●	●
Memory package – electrical adjustment and memory function for front seats, steering wheel, outside mirror, heated areas of the seat cushion and seat backrest, head-up display (where fitted), four-way front lumbar support and seat cushion length. Includes PRE-SAFE® positioning function for front passenger seat	●	●
Partition net	●	●
Pullout sunvisor	–	●
Seats – climatized (front)	●	●
Seats – heated (front, rear and third row)	●	●
Seats – luxury front head restraints	–	●
Seats – multi-contour seats with energizing massage function	–	●

	AMG Line Premium Plus	Business Class
Seats – Seat Comfort package (rear)	–	●
Seats – Seat heating Plus (front)	–	●
Seats – seven seats	●	●
Seats – split-folding rear seats	●	●
Soft closing doors	●	●
Steering wheel – heated	●	●
Storage compartment under centre console	●	●
THERMOTRONIC automatic climate control (front and rear)	●	●

## Paint, Trim and Upholstery

Dashboard in leather look	●	●
Paint – metallic	●	●
Roof lining – black fabric	●	–
Roof lining – macchiato beige fabric	–	●
Trim – centre console and door panels in anthracite linestructure lime wood	●	–
Trim – centre console and door panels in ship's deck open-pore Norway maple wood	–	●
Upholstery – nappa leather	●	●

# Standard equipment

● Standard    – Not available

## Safety and Assistance Systems

	AMG Line Premium Plus	Business Class
Dashcam	●	●
Driving Assistance package Plus <sup>1</sup> (please refer to page 22 for full details)	●	●
EASY-PACK tailgate	●	●
GUARD 360° vehicle protection Plus <sup>2</sup> – with anti-theft protection hardware including alarm and immobilizer. Theft notification and park damage detection <sup>3</sup> , stolen vehicle locator <sup>3</sup> , 360° surroundview-camera snapshots <sup>3</sup> and remote key immobilizer <sup>3</sup>	●	●
KEYLESS-GO Comfort package	●	●
Mercedes-Benz emergency call system <sup>2,4</sup>	●	●
Parking package with Active Parking Assist <sup>1</sup> and 360° camera	●	●
Tirefit	●	●

## Communications and In-Car Entertainment

	AMG Line Premium Plus	Business Class
5G communications module <sup>2</sup>	●	●
12.3-inch digital instrument cluster display	●	●
Augmented head-up display	●	●
Digital radio	●	●
EQ navigation services <sup>2</sup> – navigation optimised for Mercedes-Benz EQ, range on map (range display), display of charging stations (info on availability, programming of charging settings and Pre-Entry Climate Control <sup>2</sup> incl. remote retrieval of charging status and range	●	●

	AMG Line Premium Plus	Business Class
Fingerprint scanner – colour-illuminated fingerprint scanner in the trim strip below the OLED media display, two fingerprints per user can be stored, quick access replaces PIN entry, protects personal data such as profiles plus office and payment functions	●	●
Hard-disc navigation	●	●
Live traffic information <sup>2</sup> – 3 years	●	●
MBUX High-End Rear Seat Entertainment System	–	●
MBUX Hyperscreen	●	●
MBUX Interior Assistant (front)	●	●
MBUX Interior Assistant (rear)	–	●
MBUX rear tablet	–	●
Pre-entry climate control <sup>2</sup>	●	●
Pre-installation for Car Sharing <sup>2</sup>	●	●
Smartphone integration <sup>5</sup>	●	●
Sound personalisation	●	●
Sound system – Burmester® 3D surround sound system	●	●
TV receiver	–	●
USB package – six fast charging USB-C ports including four compatible for data transfer	●	●
Wireless charging <sup>5</sup> for mobile devices (front)	●	●
Wireless charging <sup>5</sup> for mobile devices (rear)	–	●

<sup>1</sup>Our driver assistance and safety systems are aids and do not relieve you of your responsibility as the driver. Please take note of the information in the Owner's Manual and the system limits which are described therein of network providers    <sup>2</sup>Free of charge for three years from activation    <sup>3</sup>Please be aware Mercedes-Benz emergency call system comes as standard for the first 10 years of the vehicle's lifecycle    <sup>4</sup>The connection of the communication module to the mobile phone network including the emergency call system depends on the respective network coverage and availability    <sup>5</sup>Compatible smartphone required. For further details please visit <https://www.mercedes-benz-mobile.com/>

# Standard equipment

● Standard    – Not available

## Services

	AMG Line Premium Plus	Business Class
Geofencing <sup>1</sup> – available to use free of charge for three years following activation <sup>2</sup> , denotes a specific area and notifies via push message when the vehicle leaves or enters this area	●	●
Mercedes-Benz Integrated ServiceCare – the maintenance service covers all necessary maintenance work for 6 years or 90,000 km (56,250 miles) <sup>3</sup>	●	●
Mercedes me services	●	●
Parked vehicle locator <sup>1</sup> – available to use free of charge for three years following activation <sup>2</sup> , shows the position of the parked vehicle in a radius of approx. 1.5 km	●	●
Personalisation <sup>1</sup> – available to use free of charge for three years following activation <sup>2</sup> , stores settings such as the radio station or navigation destination in the personal driver profile and enables these to be used in vehicles with the same telematics generation, the profile can be linked to the key, and the functions can therefore already be activated before getting in	●	●
Programming of auxiliary heater/ventilation <sup>1</sup>	●	●
Remote door locking and unlocking <sup>1</sup> – available to use free of charge for three years following activation <sup>2</sup> , provides convenient remote monitoring	●	●
Remote retrieval of vehicle status <sup>1,2</sup> – shows mileage, tyre pressure, washer fluid level, etc.	●	●
Remote vehicle finder <sup>1</sup> – available to use free of charge for three years following activation <sup>2</sup> indicators activated via the app help to draw attention to the vehicle, for example in large, confusing car parks	●	●
Sliding sunroof/windows with remote closing and opening including ventilation function <sup>1</sup> to use free of charge for three years following activation <sup>2</sup> for a breath of fresh air in the vehicle available	●	●
Send2Car function <sup>1</sup> – available to use free of charge for three years following activation <sup>2</sup> , sends selected addresses via the app to the vehicle's navigation system, for example POIs or restaurants	●	●

	AMG Line Premium Plus	Business Class
Speed fencing <sup>1</sup>	●	●
Stolen Vehicle Help <sup>1</sup> (free of charge for 3 years from activation) – this service reduces the bureaucratic effort required and gives you an advantage in terms of time. In the event of theft, you can report it to the police. You can transfer the police file number (depending on country) plus the relevant vehicle and owner information quite simply via app to our certified partner's security centre. This centre will then coordinate with the local police station to track your vehicle	●	●
Valet protect <sup>1</sup> – available to use free of charge for 3 years following activation <sup>2</sup> notifies via the app when the ignition is switched on/off and when the vehicle moves outside a defined radius (1km, 2.5 km or 5 km)	●	●
Vehicle Tracking <sup>1</sup>	●	●

<sup>1</sup>The connection of the communication module to the mobile phone network including the emergency call system depends on the respective network coverage and availability of network providers  
the user account. Upon expiry of the initial term, the services can be extended for a fee. Initial activation of the services is possible within 1 year of first registration or commissioning by the customer, whichever occurs first

<sup>2</sup>To use this service, you must register on the Mercedes me portal and also accept the Terms of Use for the Mercedes me connect services. In addition, the respective vehicle must be paired with Mercedes-Benz Integrated ServiceCare as standard

<sup>3</sup>The Integrated ServiceCare is fully transferrable to a new owner if there is coverage remaining. All EQS SUV models from MY805 onwards will come with

# Standard equipment Mercedes-Maybach

## Battery and Charging

22 kW on-board charger

118 kWh battery

200 kW DC on-board charger

CCS-2 connector (DC charging with combined charging system, compatible with AC and DC)

Charging cable – Mode 3 cable (5 metres), Type 2, enables you to charge the vehicle battery via the wallbox or at public charging stations

Heat pump

IONITY unlimited – free rapid charging for one year at all IONITY stations<sup>1</sup>

Mercedes me Charge<sup>2</sup> – fully integrated access to a host of public charging stations. A single contract covers all billing. One-time registration and activation as part of Mercedes me connect<sup>2</sup>. Use via app, MBUX multimedia system or RFID card

Vehicle socket flap, electric

## Steering, Transmission and Suspension

AIRMATIC air suspension struts with integrated Adaptive Damping System at the front and rear axle – automatic level control system, depending on load: load detection for a constant suspension level. Suspension level can be raised for rough roads and is automatically lowered at high speeds, MBUX can remember these actions and suggest them when arriving at the same location. At the touch of a button, you can also extend the ground clearance by up to 25 mm

DYNAMIC SELECT – five different drive programs: ECO, MAYBACH, OFF-ROAD and SPORT with the ability to save an INDIVIDUAL program, touch-sensitive button for selecting the DYNAMIC SELECT drive programs in the control unit on the centre console. Four recuperation levels, activated via the steering wheel shift paddles: Dauto (intelligent recuperation, gliding or recuperation depending on the situation), D+ no recuperation, gliding, D, weak recuperation (default setting) and D- (higher recuperation)

Steering – 10° rear axle steering

Steering wheel – heated

Steering wheel – multifunction, trimmed in wood/leather

## Exterior

Acoustic Comfort package – for an extraordinarily calm vehicle interior: special glass membranes, reinforced felts and additional insulation effectively help to reduce disruptive exterior noise

Aluminium-look, illuminated running boards with rubber studs

Headlamps – DIGITAL LIGHT

Heat-insulating, noise-insulating and infrared-reflecting laminated glass

Heated windscreen washer system

Mercedes-Maybach exterior styling

Mercedes-Maybach radiator grille – a black panel radiator shell with vertical pinstripes

Mirror package – electrically folding exterior mirrors, automatically dimming interior and exterior driver mirror, surround lighting in both outside mirrors with brand logo projection to illuminate the entrance area

Panoramic sliding sunroof

Privacy glass – dark tinted rear and rear side windows

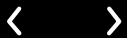
Surround lighting with animated projection of the Mercedes-Benz pattern

Tow bar with Trailer Manoeuvring Assist

<sup>1</sup>With the Mercedes me connect IONITY unlimited service, charging costs are only included for EQS customers for one year from activation of the service. Please note that this exclusive offer is applicable to the first registered owner of the vehicle only and expires at the end of a period of one year from the activation of the service and cannot be transferred to third parties

<sup>2</sup>The connection of the communication module to the mobile phone network including the emergency call system depends on the respective network coverage and availability of network providers

Design	Technology	Safety	EQS SUV	Mercedes-Maybach EQS SUV	Model prices	Personalisation	Standard equipment	Genuine accessories	Technical data	Additional information
--------	------------	--------	---------	--------------------------	--------------	-----------------	--------------------	---------------------	----------------	------------------------



# Standard equipment Mercedes-Maybach

## Wheels

21" Maybach alloy wheels – multi-spoke design, aerodynamically optimised, painted bi-colour look with a high-sheen finish (code 03R)

Summer tyres

## Interior

AIR-BALANCE package

Air filter for air conditioning system

Belt feeders in the rear

Calf massage in the rear

EASY ADJUST luxury head restraints for driver and front passenger, folding and removable on front pass

Electric sunblinds in rear doors, left and right

ENERGIZING package Plus – ENERGIZING comfort control for longer performance, including 8 comfort programmes, 3 ENERGIZING NATURE programmes and ENERGIZING COACH

First-Class rear compartment – instead of the rear bench seat, your vehicle is fitted with two individual seats that can be adjusted in a variety of ways. The full-length centre console impresses with its elegant design and fine details. An integrated projector projects the Maybach logo into the footwell. Equally first-class: temperature-controlled cup holders and armrests

Folding tables in rear

Heated rear centre console

High-pile floor mats

Holder for champagne flutes<sup>1</sup>

Illuminated door sill panels with 'Maybach' lettering at front and rear

Lighting – active ambient lighting – 64 colours

Lighting – Interior Light package

MANUFAKTUR seat backrest trim

Memory package – electrical adjustment and memory function for front seats, steering wheel, outside mirror, heated areas of the seat cushion and seat backrest, head-up display (where fitted), four-way front lumbar support and seat cushion length. Includes PRE-SAFE\* positioning function for front passenger seat

Neck and shoulder heating in the rear

Pre-entry climate control<sup>2</sup>

Pullout sunvisor

Refrigerated compartment

Seats – climatised (front and rear)

Seats – executive seats

Seats – multi-contour seats with energising massage function (front and rear)

Seats – Rear Seat Memory package

Seats – Rear Seat Comfort package

Seats – Seat heating Plus (front and rear)

Seats – seat on front passenger side electrically adjustable from the rear

Soft closing doors

Storage compartment under centre console

Temperature-controlled cup holder in the rear

THERMOTRONIC automatic climate control (front and rear)

Through-loading feature

<sup>1</sup>Champagne flutes are not included

<sup>2</sup>The connection of the communication module to the mobile phone network including the emergency call system depends on the respective network coverage and availability of network providers



# Standard equipment Mercedes-Maybach

## Paint, Trim and Upholstery

Dashboard and door beltlines in nappa leather

Paint – metallic

Roof lining – MANUFAKTUR balao brown pearl nappa leather

Trim – Exclusive Trim package

Trim – MANUFAKTUR black flowing lines piano lacquer

Upholstery – Exclusive Nappa leather in balao brown pearl/espresso brown

Upholstery – MANUFAKTUR Leather package

## Safety and Assistance Systems

Active Traffic Sign Assist<sup>1</sup>

Dashcam

Driving Assistance package Plus<sup>1</sup> (please refer to page 22 for full details)

GUARD 360° vehicle protection Plus<sup>2</sup> – with anti-theft protection hardware including alarm and immobilizer. Theft notification and park damage detection<sup>3</sup>, stolen vehicle locator<sup>3</sup>, 360° surroundview-camera snapshots<sup>3</sup> and remote key immobilizer<sup>3</sup>

KEYLESS-GO Comfort package – KEYLESS-GO with seamless door handles, EASY-PACK tailgate and HANDS-FREE access

Mercedes-Benz emergency call system<sup>2,4</sup>

Parking package – Active Parking Assist<sup>1</sup> and 360° camera

Tirefit

## Communications and In-Car Entertainment

5G communications module<sup>2</sup>

Digital radio

EQ navigation services<sup>2</sup> – navigation optimised for Mercedes-Benz EQ, range on map (range display), display of charging stations (info on availability, programming of charging settings and pre-entry climate control<sup>2</sup> incl. remote retrieval of charging status and range)

Fingerprint scanner – colour-illuminated fingerprint scanner in the trim strip below the OLED media display, two fingerprints per user can be stored, quick access replaces PIN entry, protects personal data such as profiles plus office and payment functions

Hard-disc navigation

Live traffic information<sup>2</sup> – 3 years

MBUX augmented reality head-up display

MBUX High-End Rear Seat Entertainment System

MBUX Hyperscreen

MBUX Interior Assistant (front and rear)

MBUX rear tablet

Pre-entry climate control<sup>2</sup>

Pre-installation for Car Sharing<sup>2</sup>

Smartphone integration<sup>5</sup>

Sound personalisation

Sound system – Burmester® 4D surround sound system

TV receiver

USB package – six fast charging USB-C ports including four compatible for data transfer

Wireless charging<sup>5</sup> for mobile devices, front and rear

<sup>1</sup>Our driver assistance and safety systems are aids and do not relieve you of your responsibility as the driver. Please take note of the information in the Owner's Manual and the system limits which are described therein of network providers <sup>2</sup>Free of charge for three years from activation <sup>3</sup>Please be aware Mercedes-Benz emergency call system comes as standard for the first 10 years of the vehicle's lifecycle <sup>4</sup>The connection of the communication module to the mobile phone network including the emergency call system depends on the respective network coverage and availability <sup>5</sup>Compatible smartphone required. For further details please visit <https://www.mercedes-benz-mobile.com/>

# Standard equipment Mercedes-Maybach

## Services

Geofencing<sup>1</sup> – available to use free of charge for three years following activation<sup>2</sup>, denotes a specific area and notifies via push message when the vehicle leaves or enters this area

Mercedes-Benz Integrated ServiceCare – the maintenance service covers all necessary maintenance work for 6 years or 90,000 km (56,250 miles)<sup>3</sup>

### Mercedes me services

Parked vehicle locator<sup>1</sup> – available to use free of charge for three years following activation<sup>2</sup>, shows the position of the parked vehicle in a radius of approx. 1.5 km

Personalisation<sup>1</sup> – available to use free of charge for three years following activation<sup>2</sup>, stores settings such as the radio station or navigation destination in the personal driver profile and enables these to be used in vehicles with the same telematics generation, the profile can be linked to the key, and the functions can therefore already be activated before getting in

Programming of auxiliary heater/ventilation<sup>1</sup>

Remote door locking and unlocking<sup>1</sup> – available to use free of charge for three years following activation<sup>2</sup>, provides convenient remote monitoring

Remote retrieval of vehicle status<sup>1,2</sup> – shows mileage, tyre pressure, washer fluid level, etc.

Remote vehicle finder<sup>1</sup> – available to use free of charge for three years following activation<sup>2</sup> indicators activated via the app help to draw attention to the vehicle, for example in large, confusing car parks

Sliding sunroof/windows with remote closing and opening including ventilation function<sup>1</sup> to use free of charge for three years following activation<sup>2</sup> for a breath of fresh air in the vehicle available

Send2Car function<sup>1</sup> – available to use free of charge for three years following activation<sup>2</sup>, sends selected addresses via the app to the vehicle's navigation system, for example POIs or restaurants

Speed fencing<sup>1</sup>

Stolen Vehicle Help<sup>1</sup> (free of charge for 3 years from activation) – this service reduces the bureaucratic effort required and gives you an advantage in terms of time. In the event of theft, you can report it to the police. You can transfer the police file number (depending on country) plus the relevant vehicle and owner information quite simply via app to our certified partner's security centre. This centre will then coordinate with the local police station to track your vehicle

Valet protect<sup>1</sup> – available to use free of charge for 3 years following activation<sup>2</sup> notifies via the app when the ignition is switched on/off and when the vehicle moves outside a defined radius (1 km, 2.5 km or 5 km)

Vehicle Tracking<sup>1</sup>

<sup>1</sup>The connection of the communication module to the mobile phone network including the emergency call system depends on the respective network coverage and availability of network providers the user account. Upon expiry of the initial term, the services can be extended for a fee. Initial activation of the services is possible within 1 year of first registration or commissioning by the customer, whichever occurs first

<sup>2</sup>To use this service, you must register on the Mercedes me portal and also accept the Terms of Use for the Mercedes me connect services. In addition, the respective vehicle must be paired with

<sup>3</sup>The Integrated ServiceCare is fully transferrable to a new owner if there is coverage remaining. All EQS SUV models from MY805 onwards will come with Mercedes-Benz Integrated ServiceCare as standard

Design	Technology	Safety	EQS SUV	Mercedes-Maybach EQS SUV	Model prices	Personalisation	Standard equipment	Genuine accessories	Technical data	Additional information
--------	------------	--------	---------	--------------------------	--------------	-----------------	--------------------	---------------------	----------------	------------------------



# Genuine accessories

We've developed a range of accessories you can add to help personalise and enhance your EQS SUV.



### Velour floor mats, classic

Our Mercedes-Benz floor mats have to undergo rigorous testing before they are deemed worthy of the star logo. Long durability, fade-resistant colour and a neutral odour, even after three winters of use, are all specifications which must be met without compromise. The mats are precision-tailored to your Mercedes-Benz. They are clip-fastened to the floor of the vehicle to prevent slipping.

(Five piece set: A29668001069J74)

(Three piece set: A29668099059J74)



### Reversible boot mat

Better safe than sorry: the double sided, non-slip mat from Mercedes-Benz helps keep the floor of the boot/load compartment clean and dry. 100% hardwearing polyester. And if anything does get spilt the reversible mat is easy to clean using warm water.

(Five-seater: A2966805405)

(Seven-seater: A2966809705)



### DUO plus child seat, with ISOFIX

Safe and secure: children between the ages of 9 months and 4 years (weight 9 to 18 kg) will enjoy travelling in the DUO plus child seat from Mercedes-Benz. The seat offers optimum protection in the event of an accident. A quick change of position: sitting, reclining and sleeping positions are adjustable with one simple manoeuvre.

(A0009704302)



### Boot tub

Made from impact-resistant, non-slip polypropylene. Structured surface holds separately available stowage crate in place. Vehicle's load-securing rings remain accessible.

(A2968140700)

All the above accessories are subject to availability and compatibility. Please ask your Mercedes-Benz Authorised Repairer for more information. Images shown are for illustration purposes only.

Design	Technology	Safety	EQS SUV	Mercedes-Maybach EQS SUV	Model prices	Personalisation	Standard equipment	Genuine accessories	Technical data	Additional information
--------	------------	--------	---------	--------------------------	--------------	-----------------	--------------------	---------------------	----------------	------------------------

# Technical data

## ● Standard

Model	EQS 450 4MATIC SUV	EQS 580 4MATIC SUV
<b>Motor</b>		
Battery type	lithium-ion high-voltage	lithium-ion high-voltage
Electric motor type	asynchronous	asynchronous
Battery capacity	kWh 118	118
Power <sup>1</sup>	hp (kW) 360 (265)	544 (400)
Torque <sup>1</sup>	Nm at rpm 800/3,183	858/4,340
On-board charger	kW 22AC; 200 DC	22AC; 200 DC
Emissions standard	Zero emission	Zero emission

Transmission	EQS 450 4MATIC SUV	EQS 580 4MATIC SUV
Single-speed automatic	●	●

Performance			
Acceleration 0–62 mph	sec	6.1	4.7
Top speed	mph	130	130
Charging time			
Public Rapid charger (200 kW DC) 10–80% <sup>2</sup>		31 mins	31 mins
Wallbox (22 kW AC) 0–100% <sup>3</sup>		6 hrs 15 mins	6 hrs 15 mins
Home wallbox (7.4 kW AC) 0–100% <sup>3</sup>		18 hrs 30 mins	18 hrs 30 mins
Energy consumption combined <sup>4,5</sup>	Wh/km	210–223	210–223
Electric range – WLTP <sup>4</sup>	miles	378–401	378–401

Model	EQS 450 4MATIC SUV	EQS 580 4MATIC SUV
<b>Weights and capacities</b>		
Kerb weight <sup>6</sup>	kg 3,097–3,118	3,097–3,118
Perm. Gross Vehicle Weight	kg 3,410	3,410
Boot capacity – seats up/down	l 245/2,020	245/2,020
Turning circle	m 11.9	11.9

Insurance		
All variants	50E	50E
Insurance ratings may vary depending on model line and specification.		

<sup>1</sup>Figures according to Regulation (EC) No. 595/2009 in the currently applicable version <sup>2</sup>Specified voltage and current values refer to network infrastructure and can be limited by the vehicle. Times are from 10–80% charge using public rapid charging at 200 kW <sup>3</sup>Specified voltage and current values refer to network infrastructure and can be limited by the vehicle. Times are from 0–100% charge using a wallbox (three-phase) or standard socket (single-phase) <sup>4</sup>Figures shown are for comparability purposes; only compare with other cars tested to the same technical procedures. Figures may not reflect real life driving results, which will depend upon a number of factors including the starting charge of the battery, factory-fitted options, accessories fitted (post registration), variations in weather, driving styles and vehicle load. Further information about the test used to establish range, power consumption and CO<sub>2</sub> figures can be found at <http://www.mercedes-benz.co.uk/WLTP> <sup>5</sup>Specified voltage and current values refer to network infrastructure and can be limited by the vehicle <sup>6</sup>Mass of the vehicle in running order with at least 90% full fuel tank, plus the mass of the driver (estimated by law at 75 kg), fuel and fluids, equipped with the standard equipment as specified by the manufacturer as well as, where applicable, the mass of the body, cab, trailer coupling and spare wheel(s) as well as tools. Optional extras, additional equipment and accessories can influence the weight, residual payload, rolling resistance, aerodynamics, etc., and therefore also affect the consumption/CO<sub>2</sub> values

# Technical data

- Standard

Model	Mercedes-Maybach EQS 680 SUV	
<b>Motor</b>		
Battery type	lithium-ion high-voltage	
Electric motor type	asynchronous	
Battery capacity	kWh	118
Power <sup>1</sup>	hp (kW)	658 (484)
Torque <sup>1</sup>	Nm at rpm	950/4,822
On-board charger	kW	22 AC; 200 DC
Emissions standard	Zero emission	

Transmission		
Single-speed automatic	●	

Performance		
Acceleration 0–62 mph	sec	4.4
Top speed	mph	130
Charging time		
Public Rapid charger (200 kW DC) 10–80% <sup>2</sup>	31 mins	
Wallbox (22 kW AC) 0–100% <sup>3</sup>	6 hrs 15 mins	
Home wallbox (7.4 kW AC) 0–100% <sup>3</sup>	18 hrs 30 mins	
Energy consumption combined <sup>4,5</sup>	Wh/km	227–238
Electric range – WLTP <sup>4</sup>	miles	351–369

Model	Mercedes-Maybach EQS 680 SUV	
<b>Weights and capacities</b>		
Kerb weight <sup>6</sup>	kg	3,075
Perm. Gross Vehicle Weight	kg	3,500
Boot capacity – seats up/down	l	400/-
Turning circle	m	11.9

Insurance		
All variants	tba	
Insurance ratings may vary depending on model line and specification.		

<sup>1</sup>Figures according to Regulation (EC) No. 595/2009 in the currently applicable version <sup>2</sup>Specified voltage and current values refer to network infrastructure and can be limited by the vehicle. Times are from 10–80% charge using public rapid charging at 200 kW <sup>3</sup>Specified voltage and current values refer to network infrastructure and can be limited by the vehicle. Times are from 0–100% charge using a wallbox (three-phase) or standard socket (single-phase) <sup>4</sup>Figures shown are for comparability purposes; only compare with other cars tested to the same technical procedures. Figures may not reflect real life driving results, which will depend upon a number of factors including the starting charge of the battery, factory-fitted options, accessories fitted (post registration), variations in weather, driving styles and vehicle load. Further information about the test used to establish range, power consumption and CO<sub>2</sub> figures can be found at <http://www.mercedes-benz.co.uk/WLTP> <sup>5</sup>Specified voltage and current values refer to network infrastructure and can be limited by the vehicle <sup>6</sup>Mass of the vehicle in running order with at least 90% full fuel tank, plus the mass of the driver (estimated by law at 75 kg), fuel and fluids, equipped with the standard equipment as specified by the manufacturer as well as, where applicable, the mass of the body, cab, trailer coupling and spare wheel(s) as well as tools. Optional extras, additional equipment and accessories can influence the weight, residual payload, rolling resistance, aerodynamics, etc., and therefore also affect the consumption/CO<sub>2</sub> values

[Book a test drive](#)[Find your EQS SUV](#)[Find a Showroom](#)

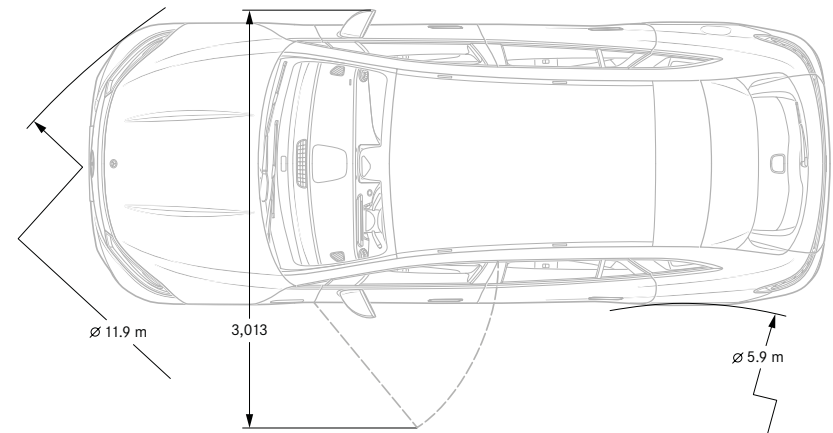
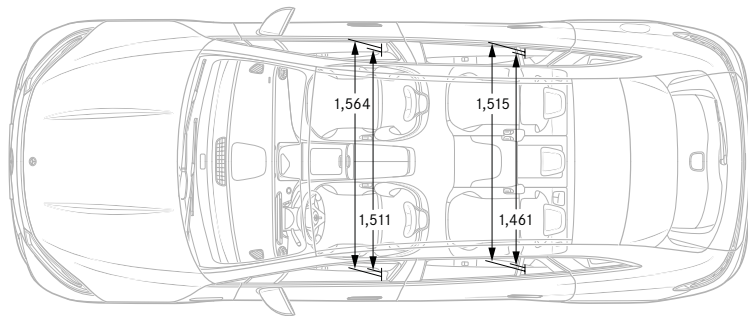
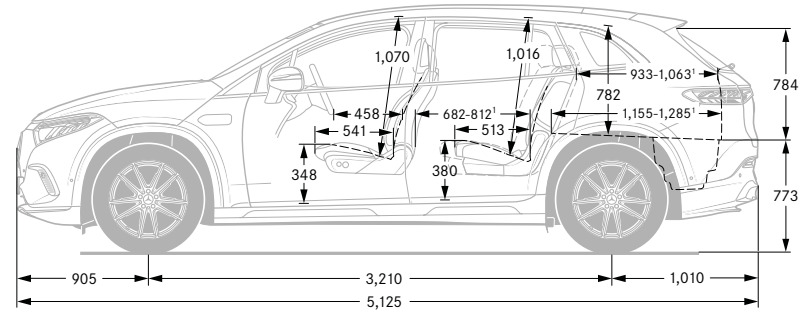
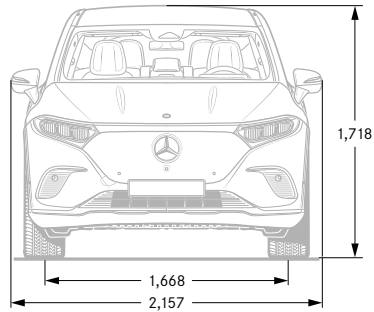
# Electric range and consumption

Model	Energy Consumption - combined (Wh/km) <sup>1,2</sup>	All Electric Range (km) <sup>2</sup>	All Electric Range (miles) <sup>2</sup>
EQS 450 4MATIC AMG Line Premium Plus SUV	210	645	401
EQS 450 4MATIC Business Class SUV	211	643	400
EQS 450 4MATIC Business Class SUV with optional 22" alloy wheels (code RPA)	223	608	378
EQS 580 4MATIC AMG Line Premium Plus SUV	210	645	401
EQS 580 4MATIC Business Class SUV	211	643	400
EQS 580 4MATIC Business Class SUV with optional 22" alloy wheels (code RPA)	223	608	378
Mercedes-Maybach EQS 680 First Class SUV	227	593	369
Mercedes-Maybach EQS 680 First Class SUV with optional 21" alloy wheels (code 23R)	229	589	366
Mercedes-Maybach EQS 680 First Class SUV with optional 21" alloy wheels (code 88R)	228	592	368
Mercedes-Maybach EQS 680 First Class SUV with optional 22" alloy wheels (code 06R)	238	565	351

<sup>1</sup>Specified voltage and current values refer to network infrastructure and can be limited by the vehicle fitted (post registration), variations in weather, driving styles and vehicle load. Further information about the test used to establish range, power consumption and CO<sub>2</sub> figures can be found at <http://www.mercedes-benz.co.uk/WLTP>

<sup>2</sup>Figures shown are for comparability purposes; only compare with other cars tested to the same technical procedures. Figures may not reflect real life driving results, which will depend upon a number of factors including the starting charge of the battery, factory-fitted options, accessories

# EQS SUV

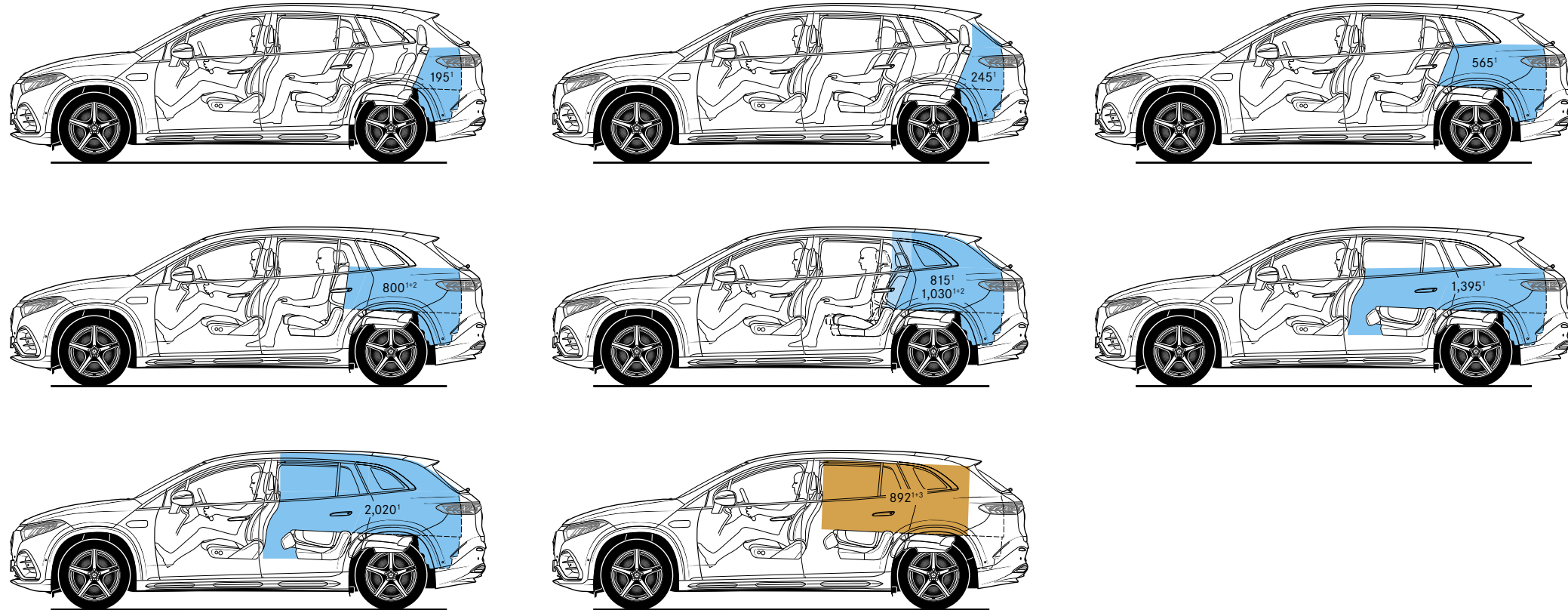


All measurements in millimetres. The dimensions shown are mean values and apply to standard-specification, unladen vehicles

<sup>1</sup>Movable rear bench seat, vehicle length without number-plate adapter (2 mm)

Design	Technology	Safety	EQS SUV	Mercedes-Maybach EQS SUV	Model prices	Personalisation	Standard equipment	Genuine accessories	Technical data	Additional information
--------	------------	--------	---------	--------------------------	--------------	-----------------	--------------------	---------------------	----------------	------------------------

## EQS SUV – Boot capacity



Luggage compartment capacity according to guideline ISO 3832:2002-06, capacity may differ depending on optional extras

<sup>1</sup>Volume in litres

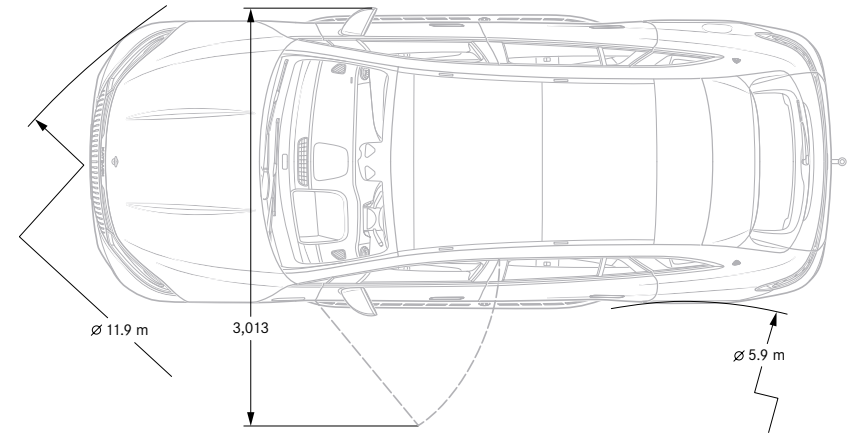
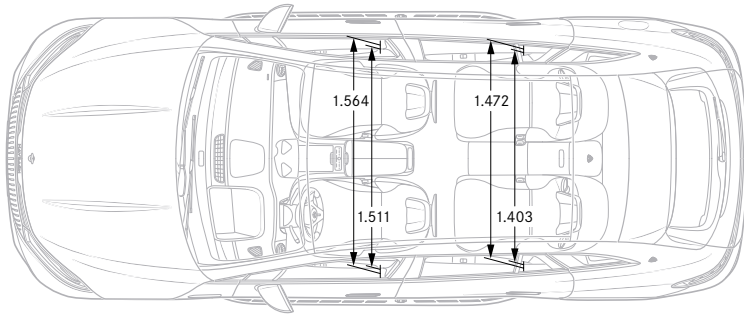
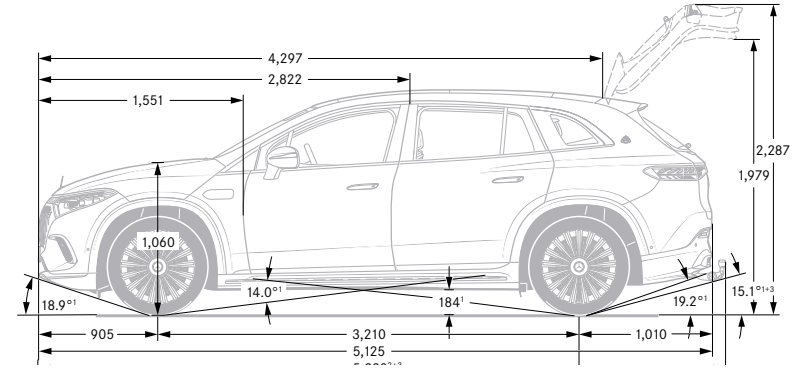
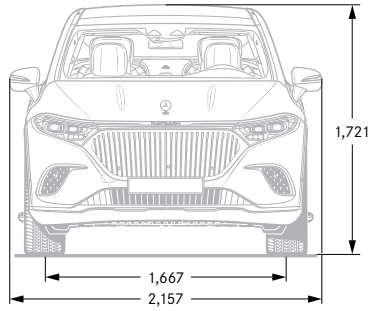
<sup>2</sup>With rear bench seat in cargo position

<sup>3</sup>Dimensions of largest possible cuboid: 1,650 × 796 × 679 mm

Design	Technology	Safety	EQS SUV	Mercedes-Maybach EQS SUV	Model prices	Personalisation	Standard equipment	Genuine accessories	Technical data	Additional information
--------	------------	--------	---------	--------------------------	--------------	-----------------	--------------------	---------------------	----------------	------------------------



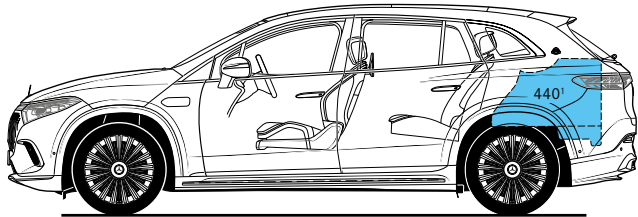
## Mercedes-Maybach EQS 680 First Class SUV



All measurements in millimetres. The dimensions shown are mean values and apply to standard-specification, unladen vehicles <sup>1</sup>Movable rear bench seat, vehicle length without number-plate adapter (2 mm)

Design	Technology	Safety	EQS SUV	Mercedes-Maybach EQS SUV	Model prices	Personalisation	Standard equipment	Genuine accessories	Technical data	Additional information
--------	------------	--------	---------	--------------------------	--------------	-----------------	--------------------	---------------------	----------------	------------------------

## Mercedes-Maybach EQS 680 First Class SUV – Boot capacity



Luggage compartment capacity according to guideline ISO 3832:2002-06, capacity may differ depending on optional extras <sup>1</sup>Volume in litres

Design	Technology	Safety	EQS SUV	Mercedes-Maybach EQS SUV	Model prices	Personalisation	Standard equipment	Genuine accessories	Technical data	Additional information
--------	------------	--------	---------	--------------------------	--------------	-----------------	--------------------	---------------------	----------------	------------------------

[Book a test drive](#)[Find your EQS SUV](#)[Find a Showroom](#)

# Road Fund Licence

All road vehicle registrations are subject to Vehicle Excise Duty (Road Fund Licence), which varies in accordance with the vehicle's CO<sub>2</sub> emissions. A first year rate for each taxation band will apply. The table below shows the bands (A–M) created by the DVLA and the corresponding Road Fund Licence. CO<sub>2</sub> emissions and the relevant Excise Duty are shown on the model pricing page.

Band	CO <sub>2</sub> emissions (g/km)	First year rate petrol and RDE2 diesel (£)	First year rate alternative fuel (£)	Electric vehicles		Alternative fuel vehicles		Petrol/diesel vehicles	
				Standard rate (£)	Premium rate (£) <sup>1</sup>	Standard rate (£)	Premium rate (£) <sup>1</sup>	Standard rate (£)	Premium rate (£) <sup>1</sup>
A	0	0.00	0.00	0.00	0.00	0.00	0.00	0.00	0.00
B	1 to 50	10.00	0.00	0.00	0.00	180.00	590.00	190.00	600.00
C	51 to 75	30.00	20.00	0.00	0.00	180.00	590.00	190.00	600.00
D	76 to 90	135.00	125.00	0.00	0.00	180.00	590.00	190.00	600.00
E	91 to 100	175.00	165.00	0.00	0.00	180.00	590.00	190.00	600.00
F	101 to 110	195.00	185.00	0.00	0.00	180.00	590.00	190.00	600.00
G	111 to 130	220.00	210.00	0.00	0.00	180.00	590.00	190.00	600.00
H	131 to 150	270.00	260.00	0.00	0.00	180.00	590.00	190.00	600.00
I	151 to 170	680.00	670.00	0.00	0.00	180.00	590.00	190.00	600.00
J	171 to 190	1,095.00	1,085.00	0.00	0.00	180.00	590.00	190.00	600.00
K	191 to 225	1,650.00	1,640.00	0.00	0.00	180.00	590.00	190.00	600.00
L	226 to 255	2,340.00	2,330.00	0.00	0.00	180.00	590.00	190.00	600.00
M	over 255	2,745.00	2,735.00	0.00	0.00	180.00	590.00	190.00	600.00



Some of the model features, optional extras and colours shown may not be available, or may only be available in a different specification, or at a different price.

<sup>1</sup>Premium rate only applicable to vehicles where the list price is over £40,000 including any factory-fitted options, standard UK delivery charge and VAT

# Services and insurance

## Mercedes-Benz ServiceCare

We believe that servicing costs should be as flexible and affordable as possible for your new EQS, which is why we offer ServiceCare, an easy way to budget for all your servicing costs. It spreads your bills into manageable payments based on whether you have a new or used Mercedes-Benz.

With ServiceCare we guarantee the price of parts and labour for up to four services and safeguard against any further inflation.

You can choose either to add your servicing costs into your monthly spend or pay the full amount in a one-off payment, giving you peace of mind that they are taken care of for the period of the plan.

[Click here for more information](#)

## Motor Insurance

We know that once you have chosen your Mercedes-Benz you can't wait to drive it – that's why we created First Cover<sup>3</sup>. It gives you 7 days' free comprehensive Motor Insurance when you buy a new or used vehicle from a Mercedes-Benz Agent. We will also send you a quote for annual cover, so you can enjoy the same peace of mind all year round.

[Apply for First Cover](#)

## Battery Warranty

The battery is under warranty for either a maximum distance of 155,000 miles or up to ten years from the date of first registration, whichever comes first.

## Warranty and breakdown cover

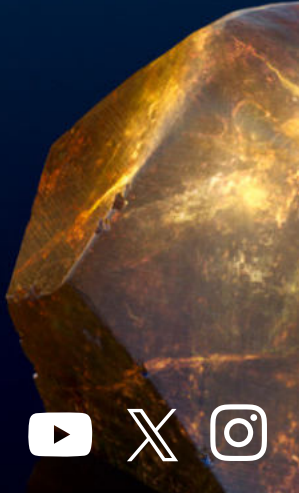
Every Mercedes-Benz comes with a three-year unlimited mileage warranty against manufacturing or material defects<sup>1</sup> and up to 30 years warranty against perforation due to corrosion from the inside out.<sup>2</sup> What's more, it's also covered by Mercedes-Benz Roadside Assistance – a unique package comprising up to 30 years pan-European breakdown assistance.<sup>2</sup>



<sup>1</sup>Applies to vehicles sold by Mercedes-Benz in the UK to its franchised Mercedes-Benz Agents

<sup>2</sup>Subject to full Terms and Conditions, dependent on date of registration, available upon request

<sup>3</sup>Terms and Conditions apply. We are an independent intermediary dealing with selected insurers in respect of annual insurance



Effective from August 2024 Production. Information correct at time of publication 25.04.2024.  
Prices and specifications are subject to change without prior notice.  
MBX296PL/0524 MY805

